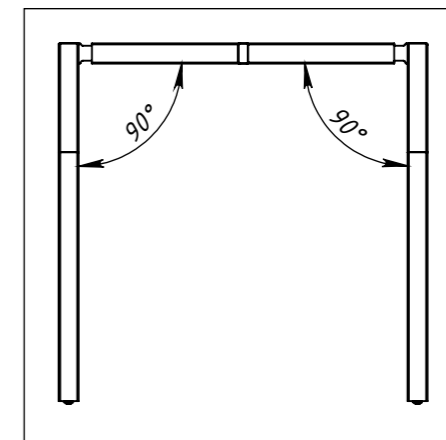
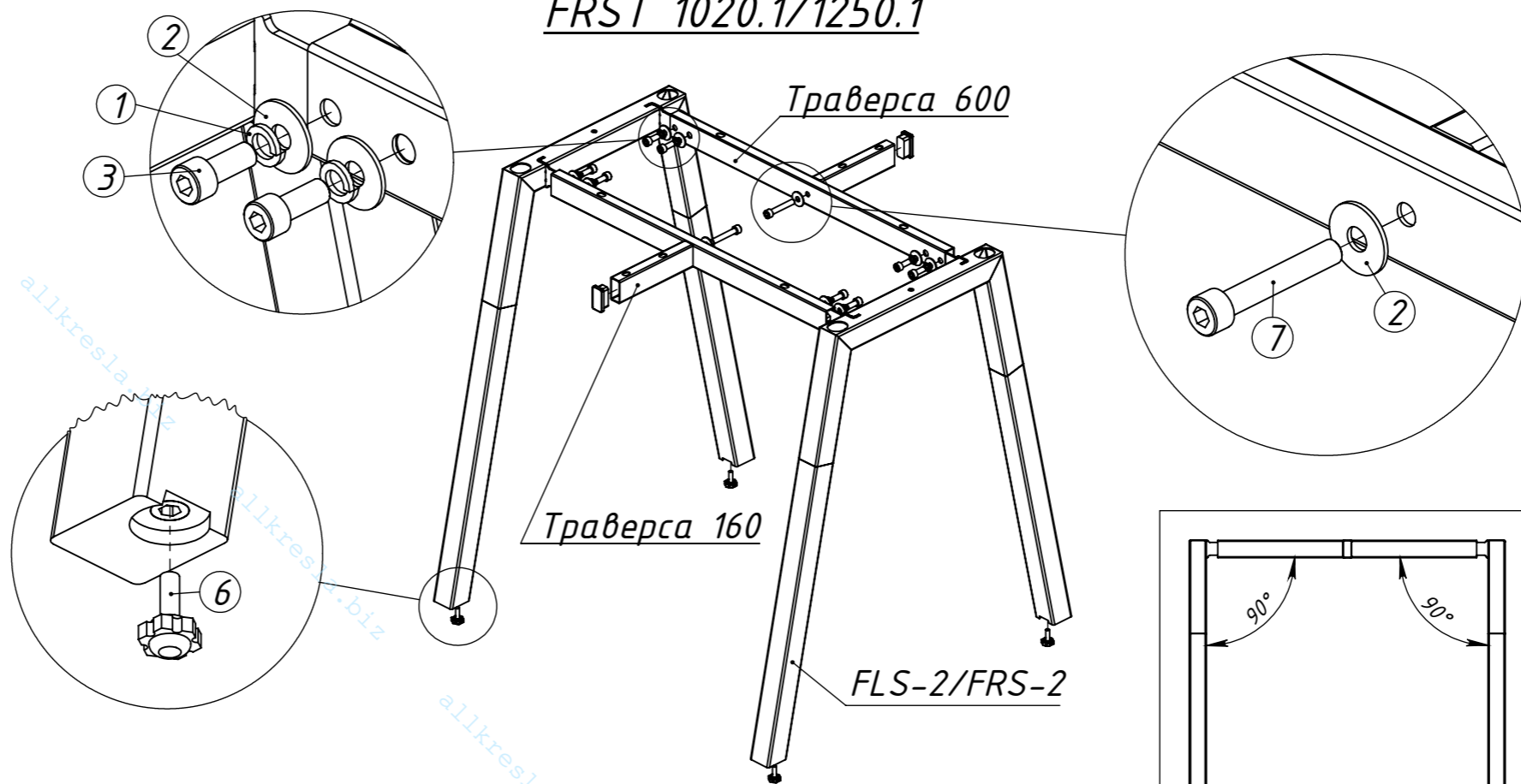


	d
FRST 1020.1	1020
FRST 1250.1	1250

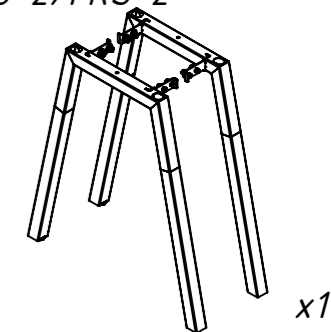
FRST 1020.1/1250.1



F-01

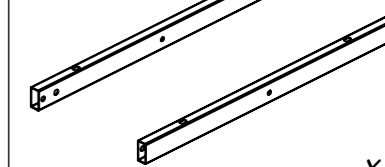
4/14

FLS-2/FRS-2

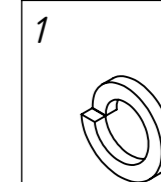


x1

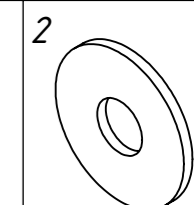
Траверса 600



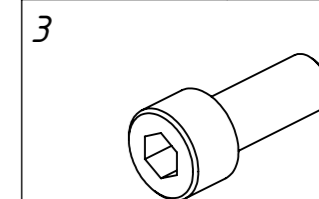
x1



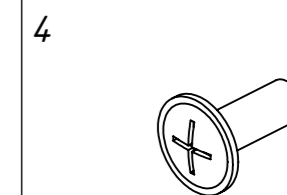
x8



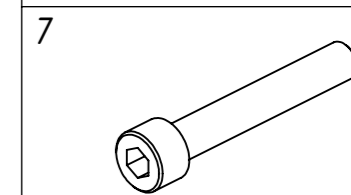
8x24 x10



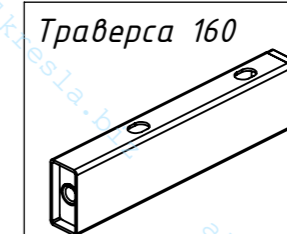
M8x20 x8



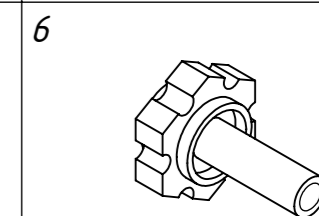
M6x12 x10



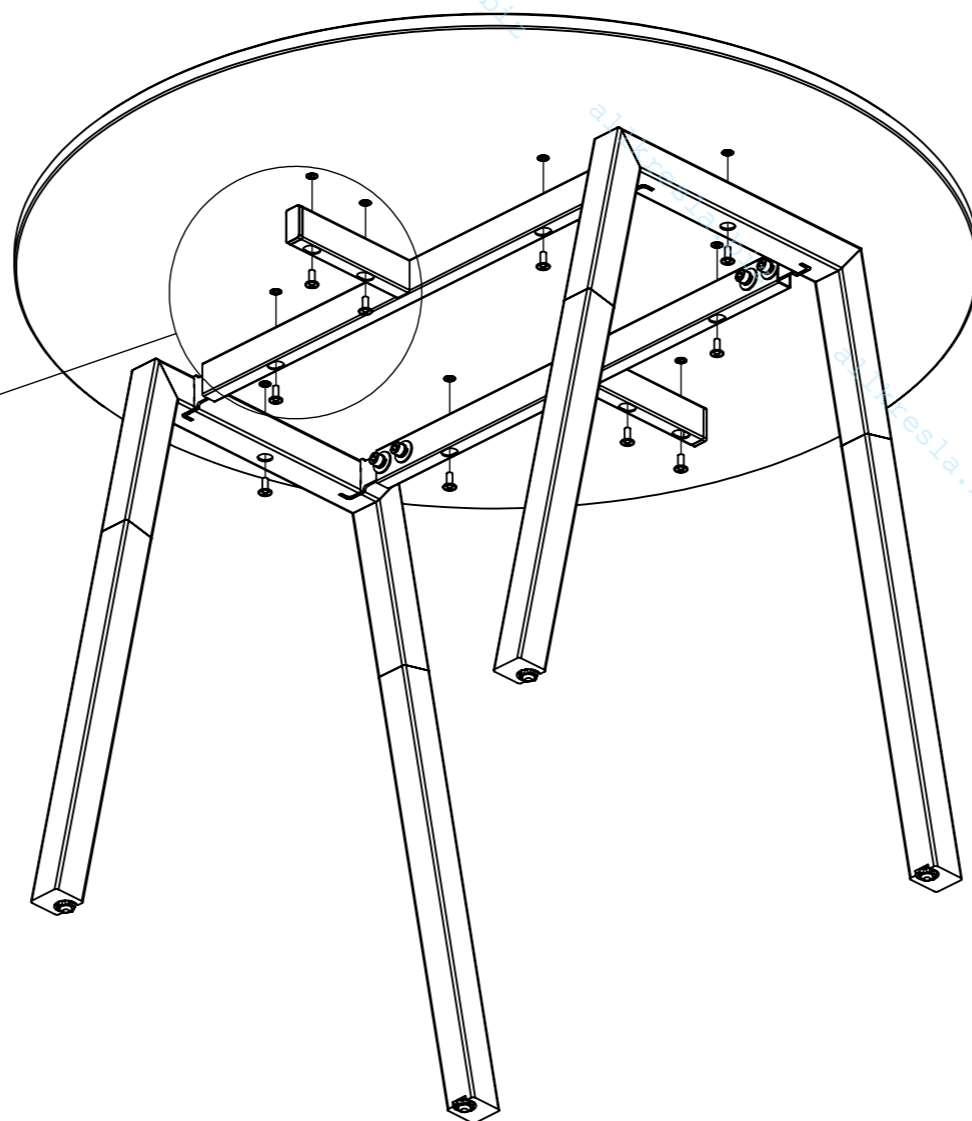
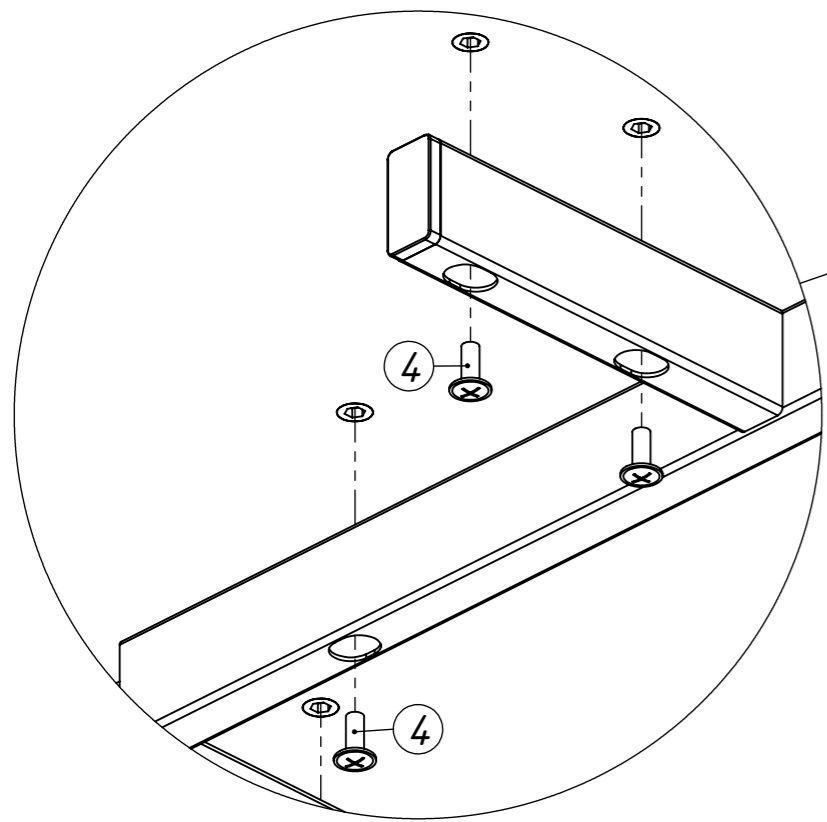
M8x50 x2

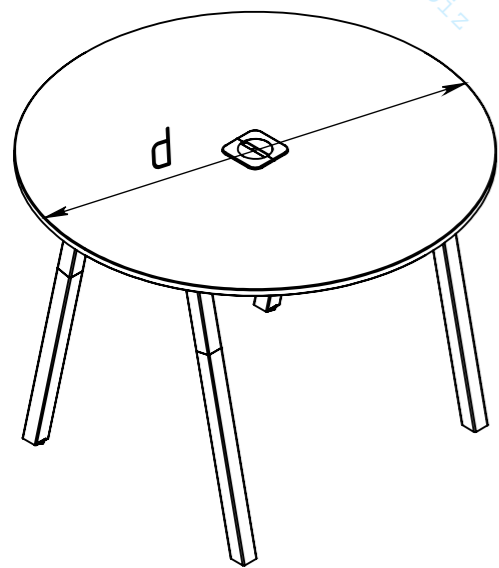


x2



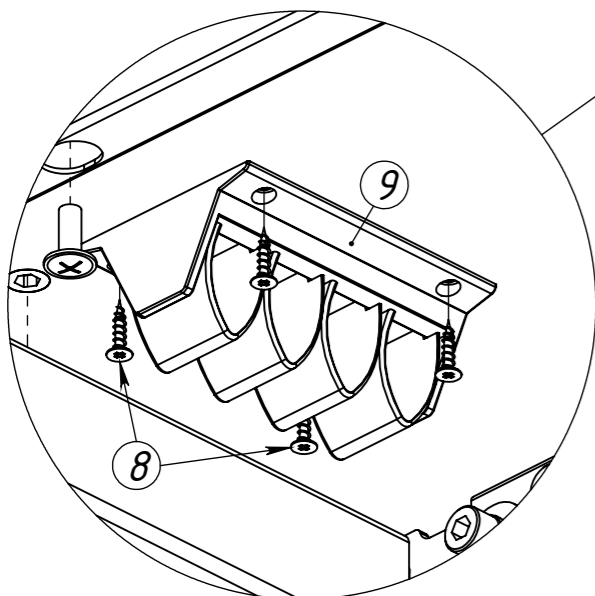
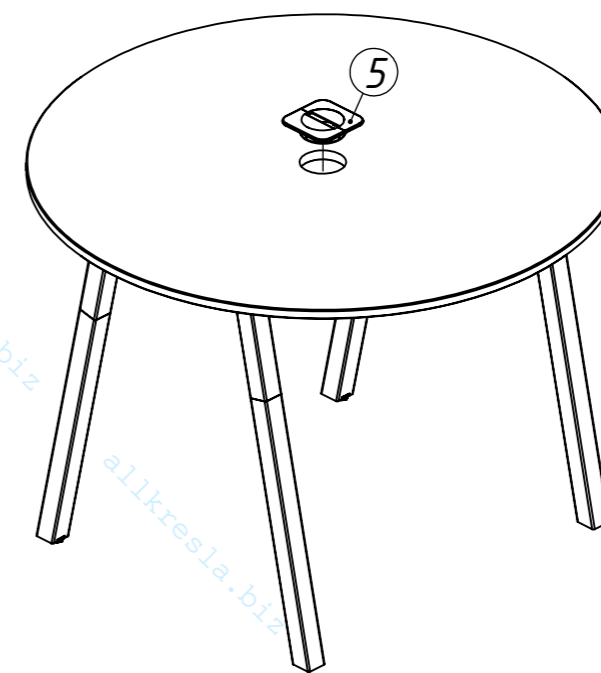
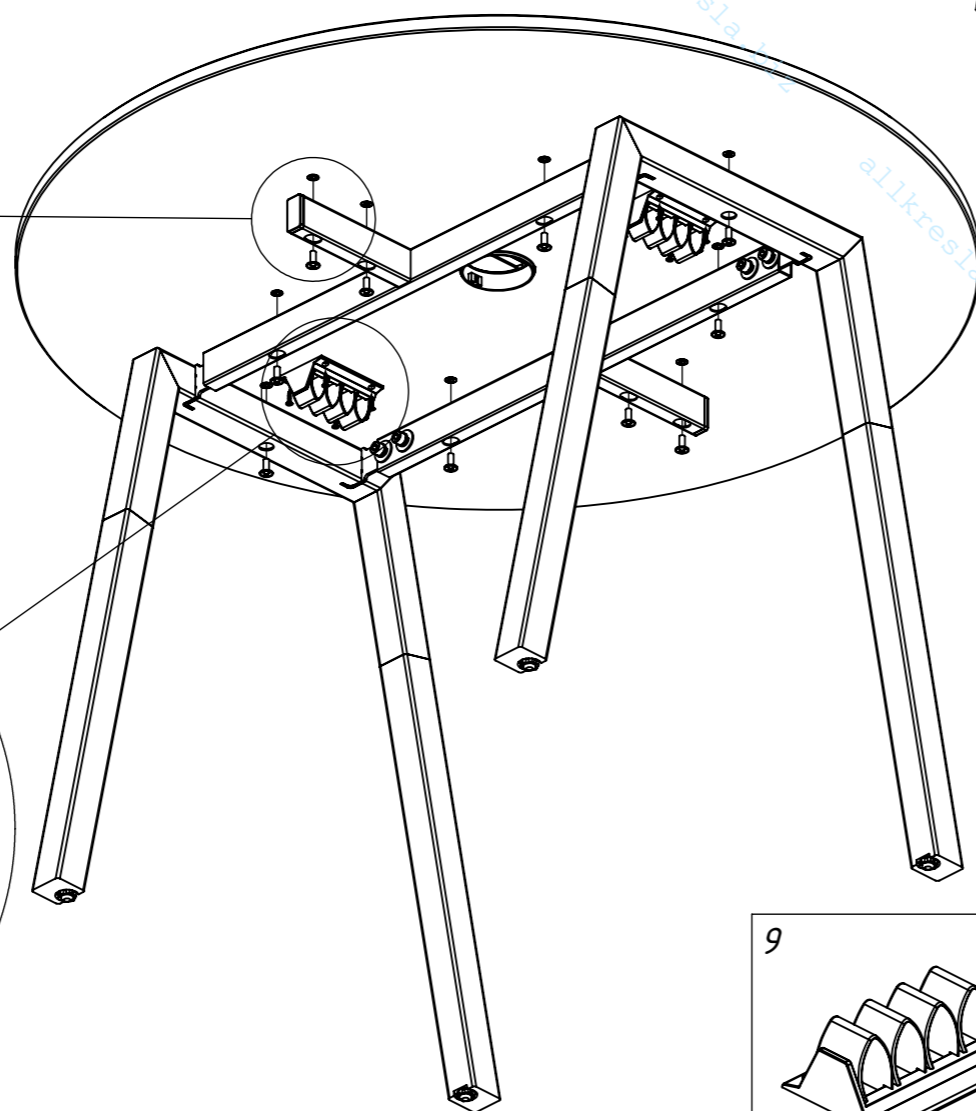
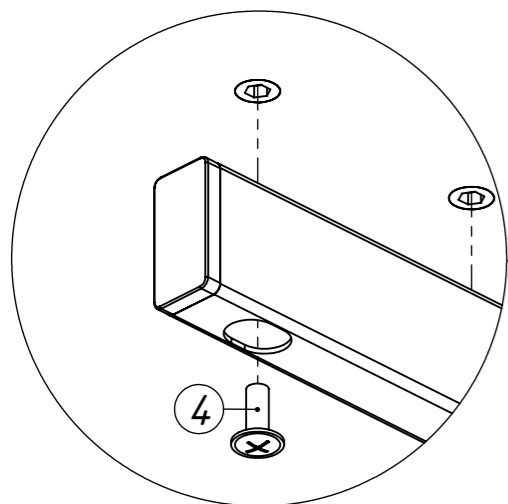
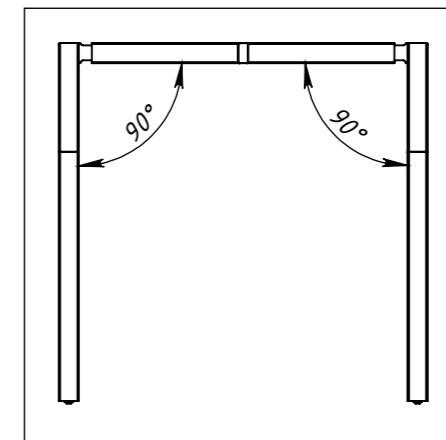
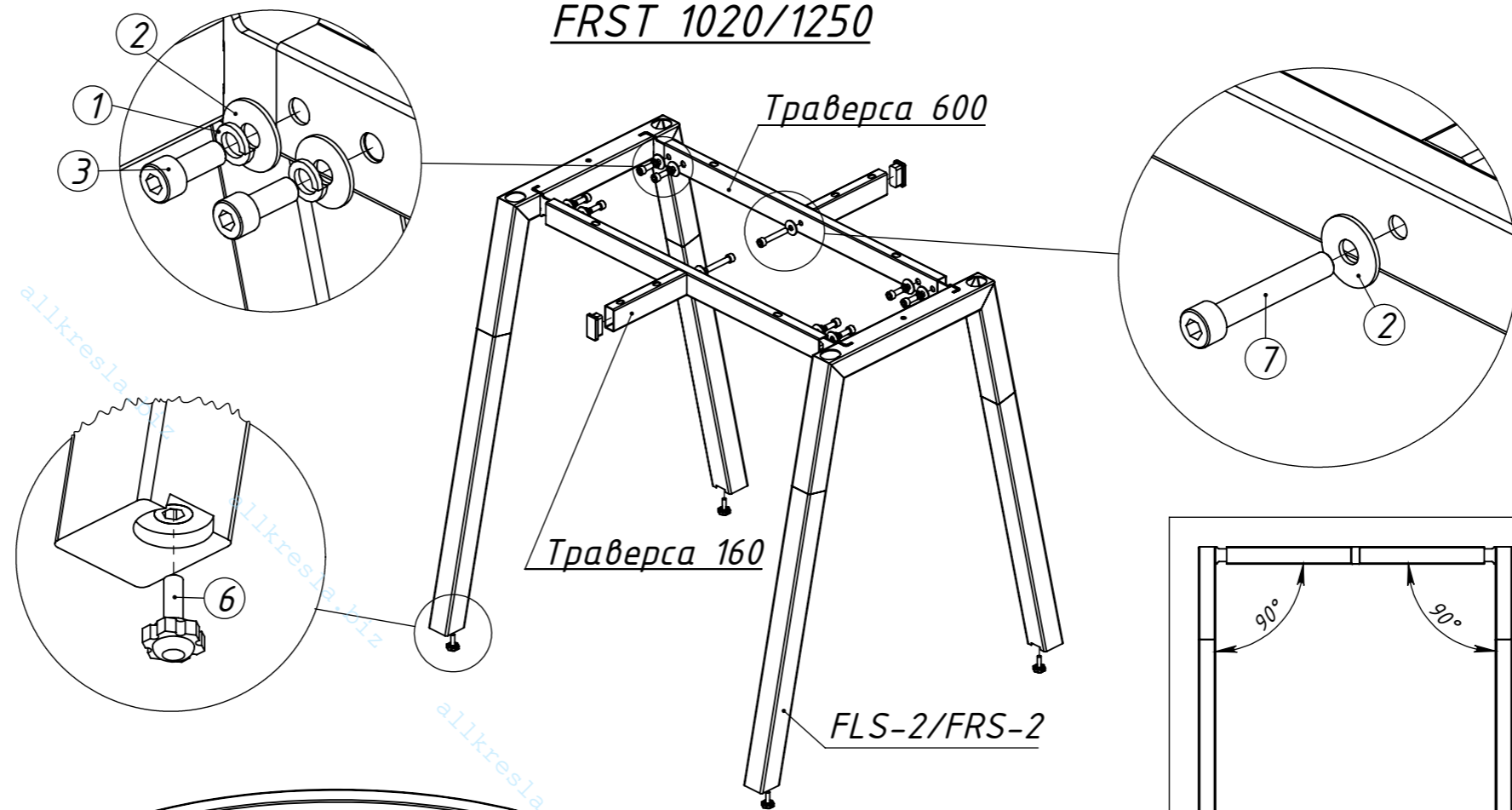
x4





	d
FRST 1020	1020
FRST 1250	1250

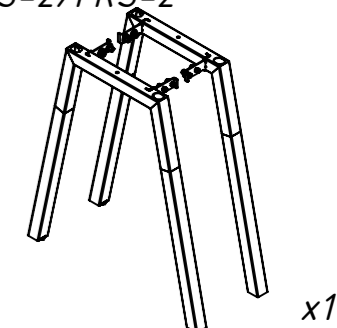
FRST 1020/1250



F-01

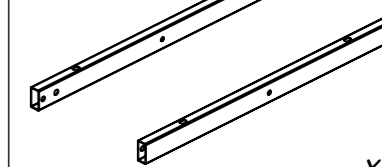
5/14

FLS-2/FRS-2



x1

Траверса 600



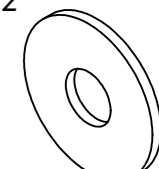
x1

1



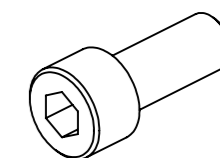
x8

2



8x24 x10

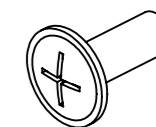
3



M8x20

x8

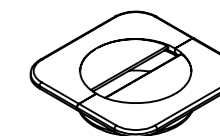
4



M6x12

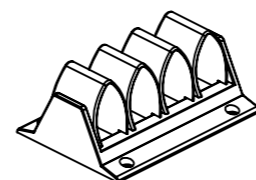
x10

5



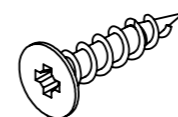
x1

9



x2

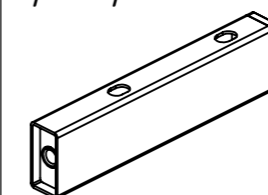
8



3,5x16

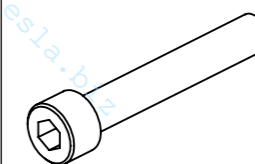
x8

Траверса 160



x2

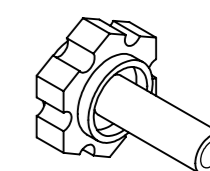
7



M8x50

x2

6



x4