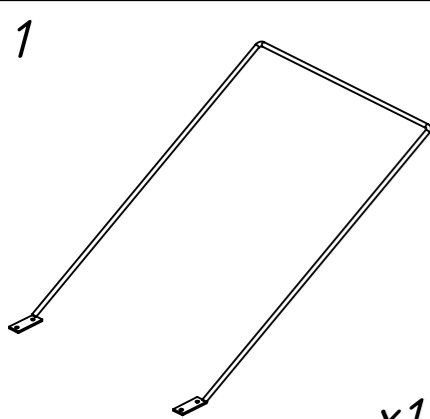
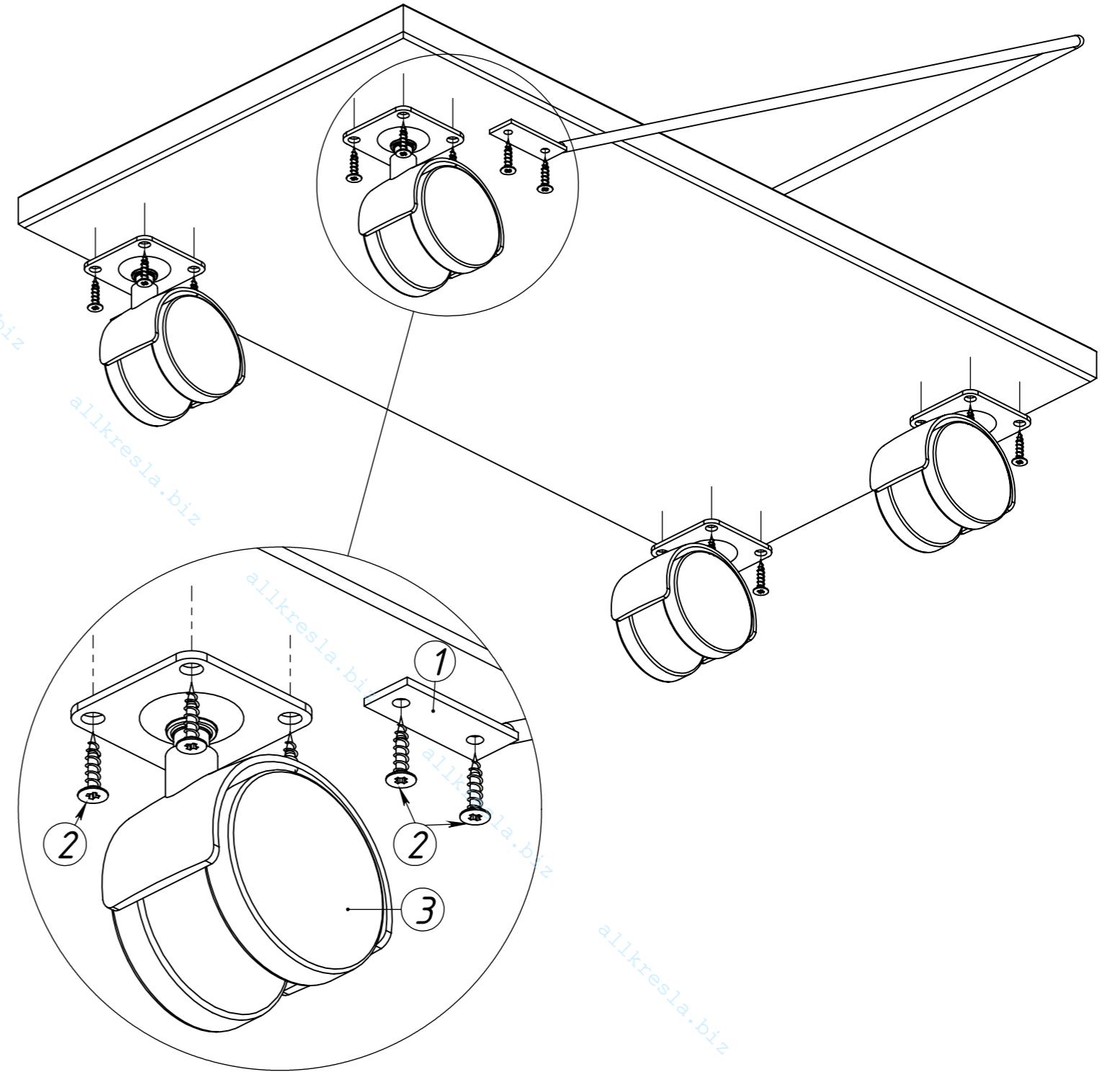
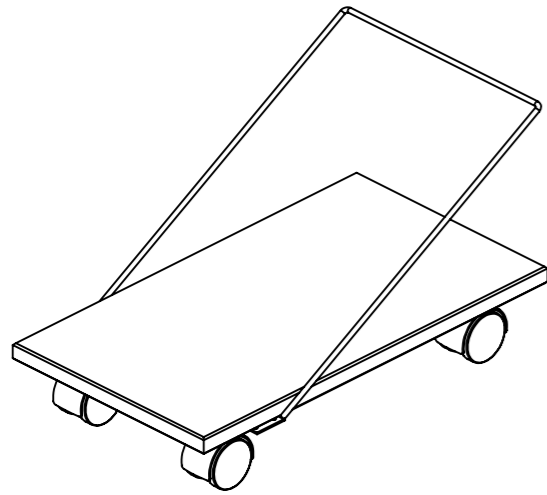
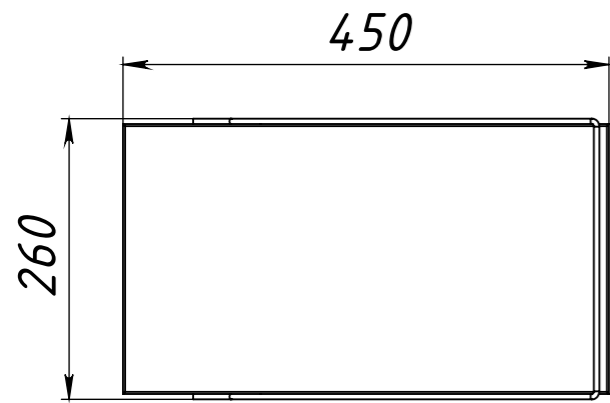
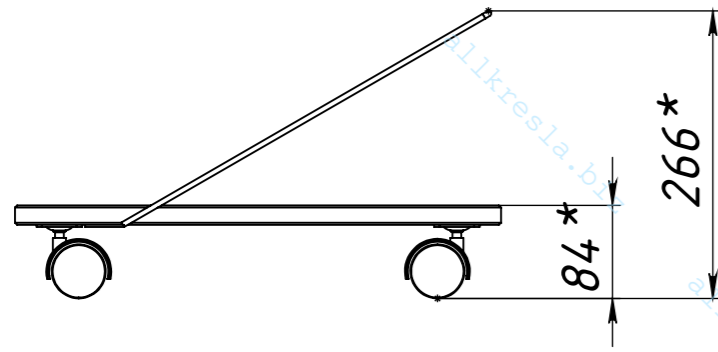


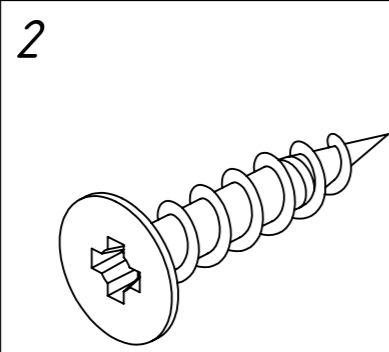
FSS 4526

F-09

1/1

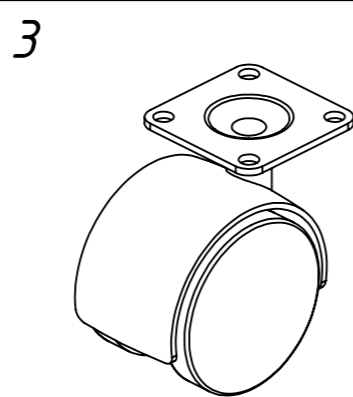


x1



3,5x16

x20



x4