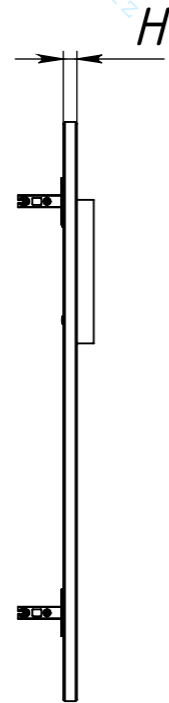
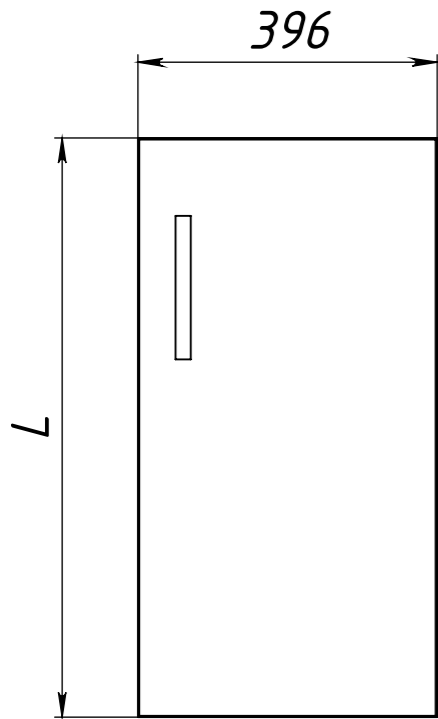
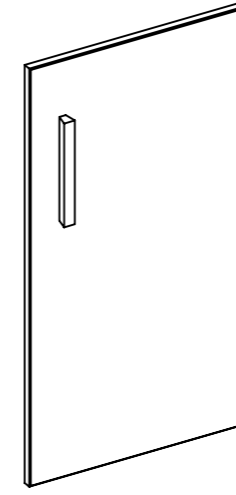


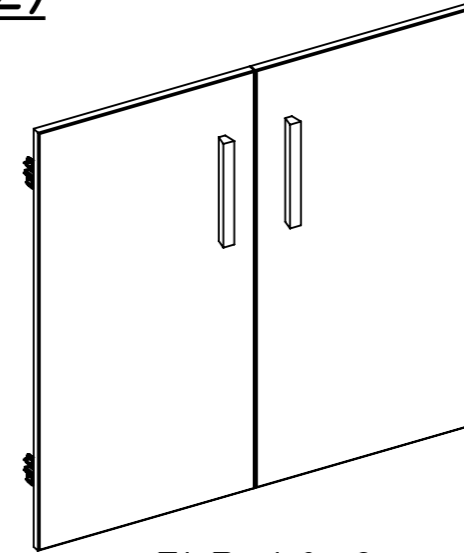
FLD 40-1 (R)/(L), FLD 40-2, FLD 40-2 (Z),
FMD 40-1 (R)/(L), FGD 40-1F зрафум, FMD 40-2, FMD 40-2 (Z),
FHD 40-1, FHD 40-2, FHD 40-2 (Z)



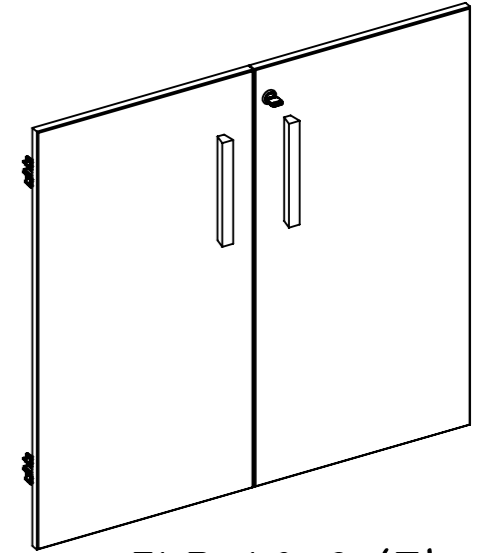
	L	H
FLD 40-1 (R)(L) FLD 40-2 FLD 40-2 (Z)	766	18
FMD 40-1 (R)(L) FMD 40-2 FMD 40-2 (Z)	1164	18
FGD 40-1F зрафум	1164	4
FHD 40-1 FHD 40-2 FHD 40-2 (Z)	1932	18



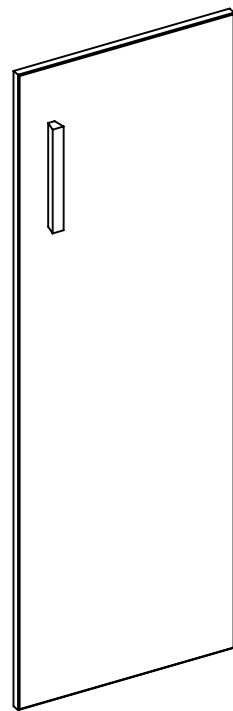
FLD 40-1 (R)(L)



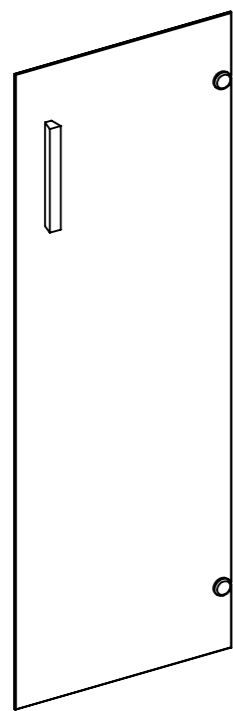
FLD 40-2



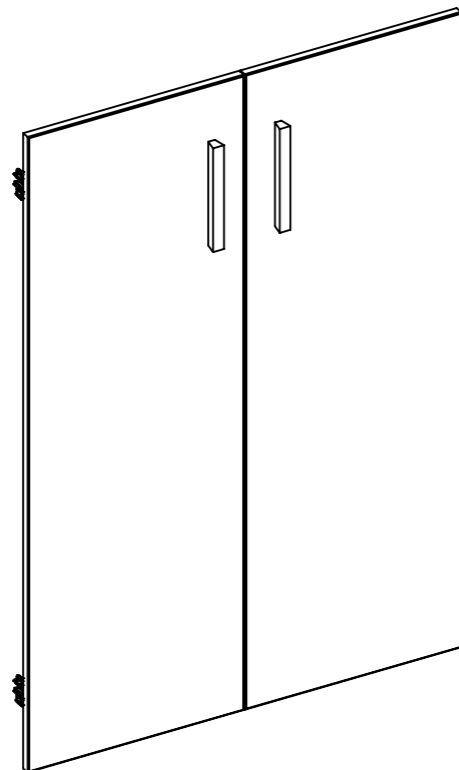
FLD 40-2 (Z)



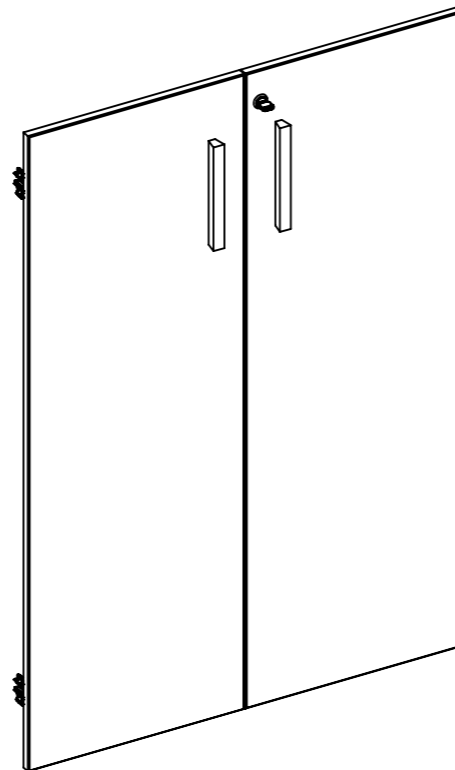
FMD 40-1 (R)(L)



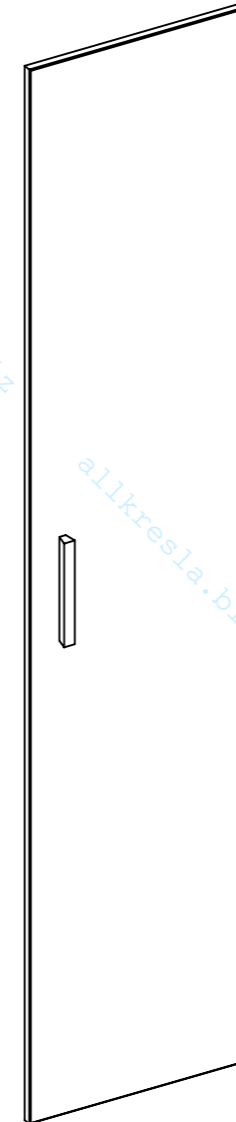
FGD 40-1F зрафум



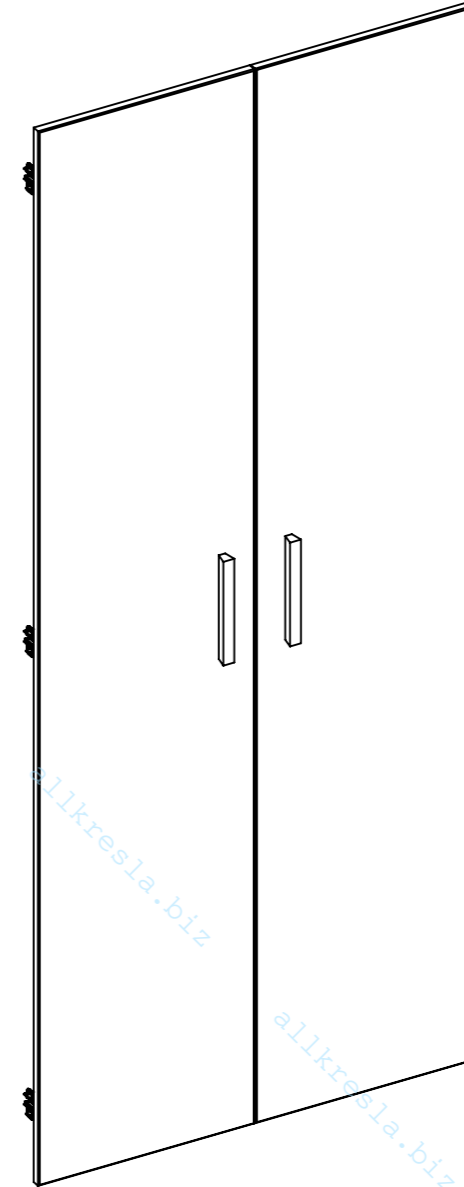
FMD 40-2



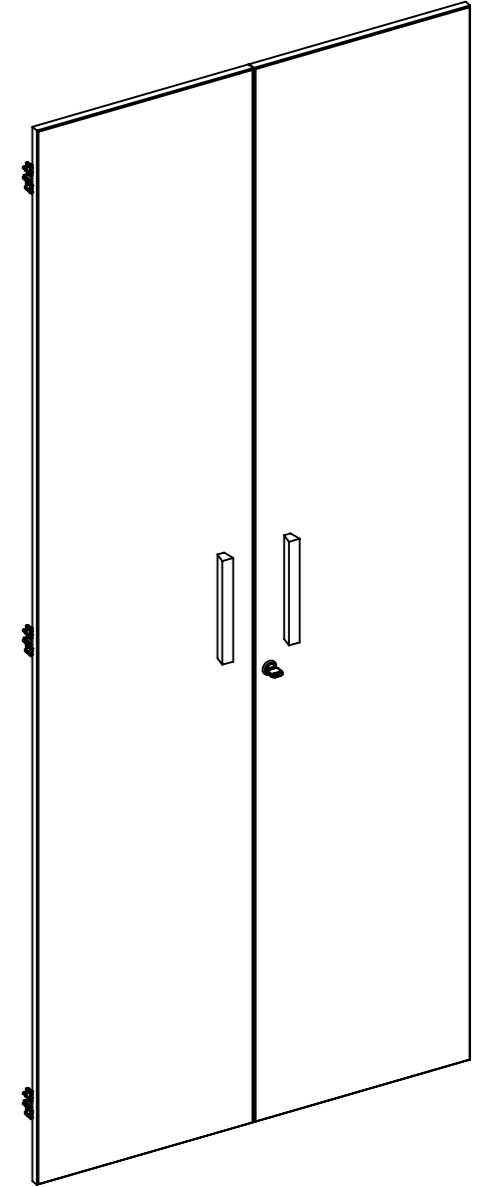
FMD 40-2 (Z)



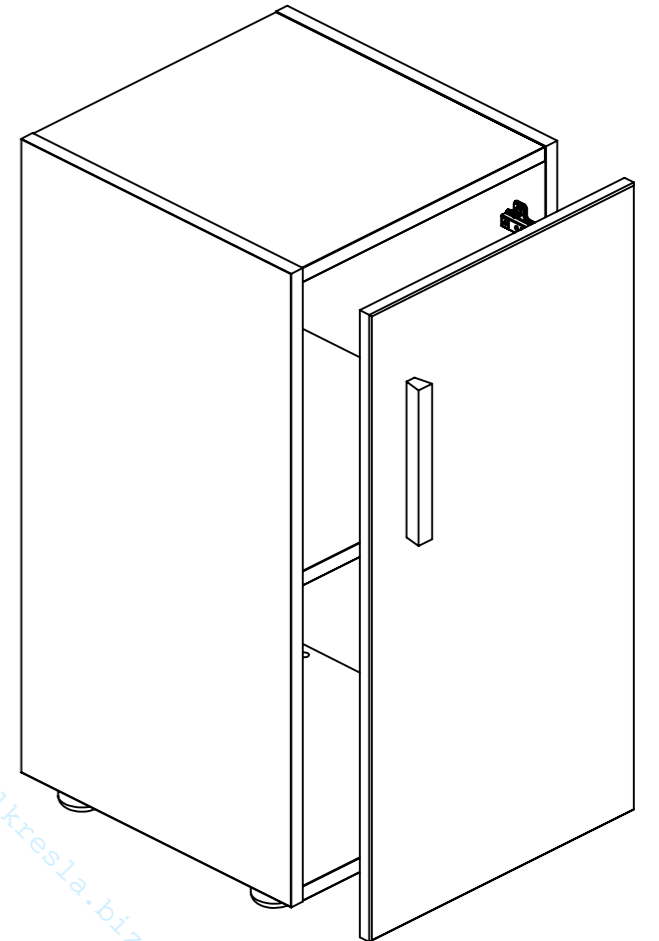
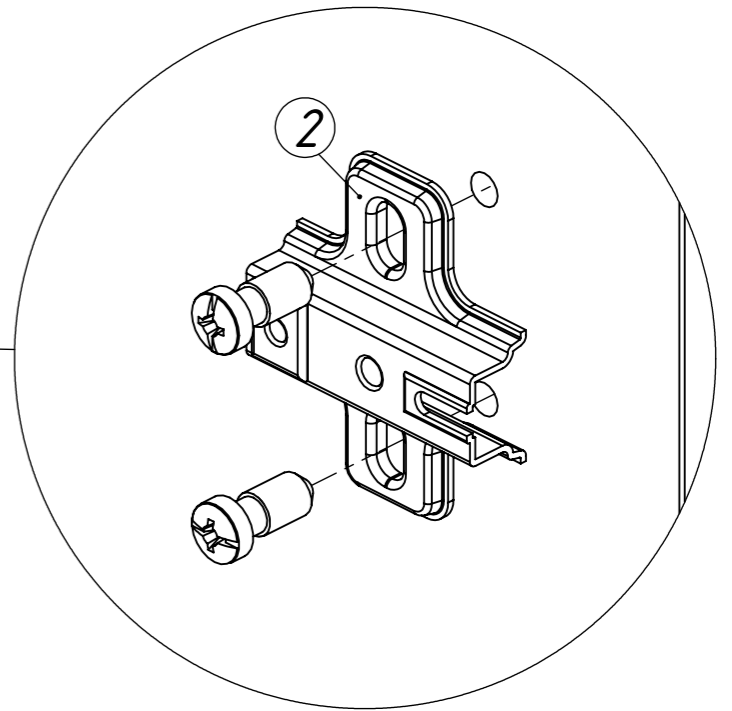
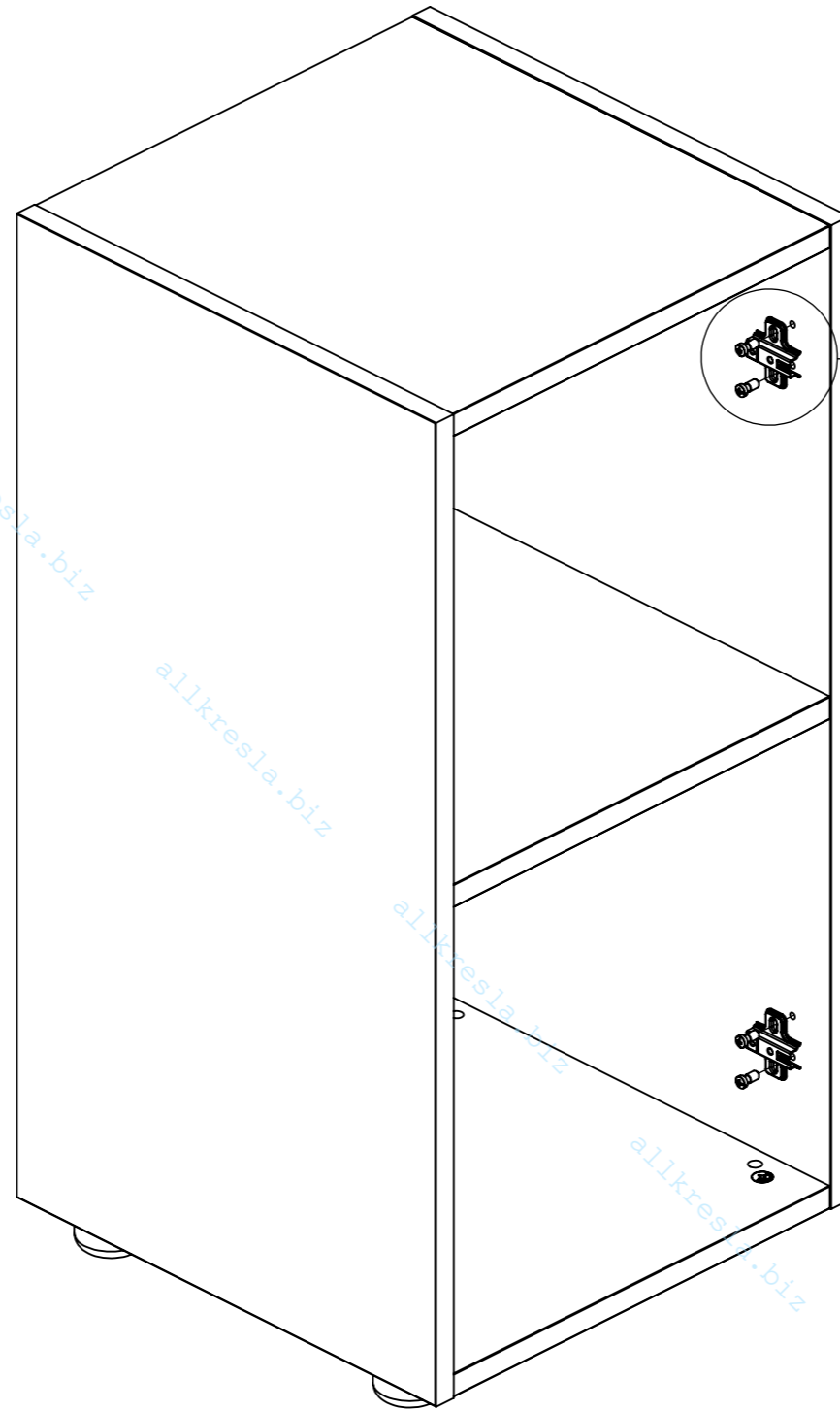
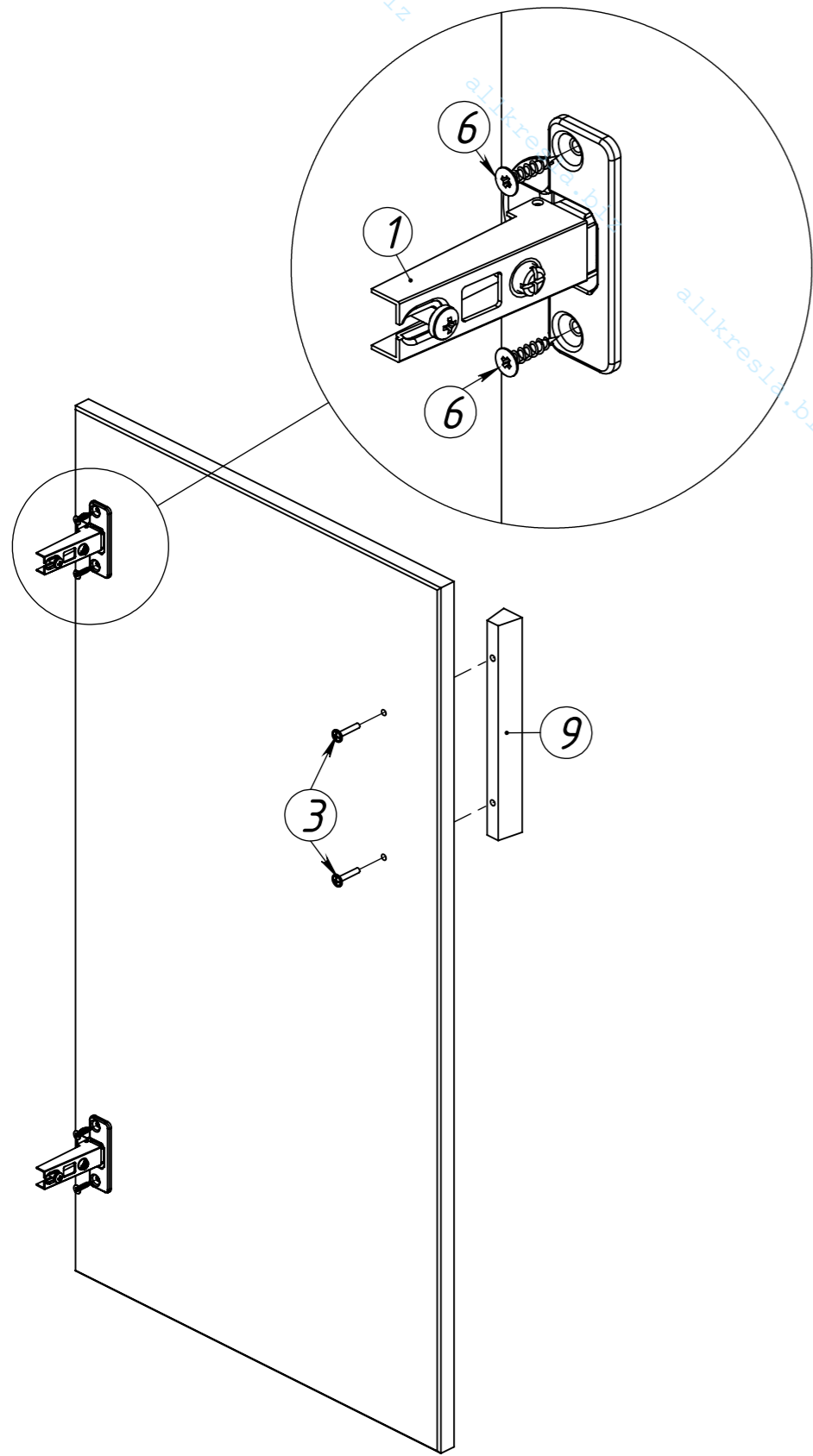
FHD 40-1



FHD 40-2



FHD 40-2 (Z)



1	2	3	4	5	9	10
		6	7	8		

