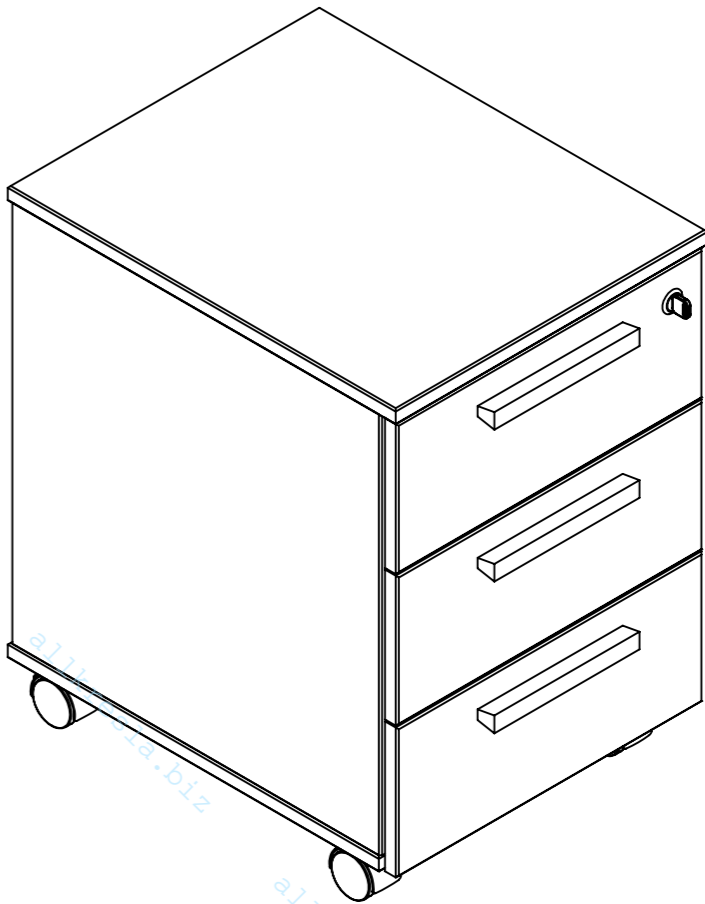
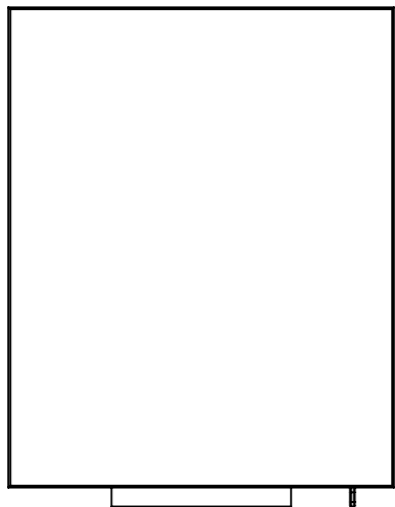
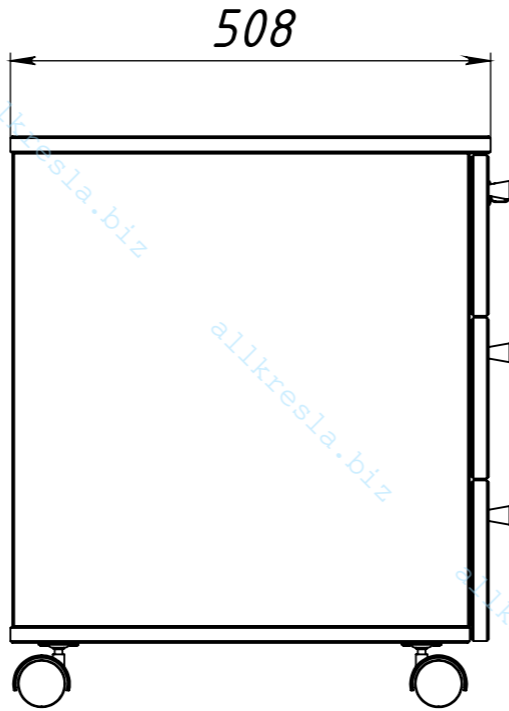
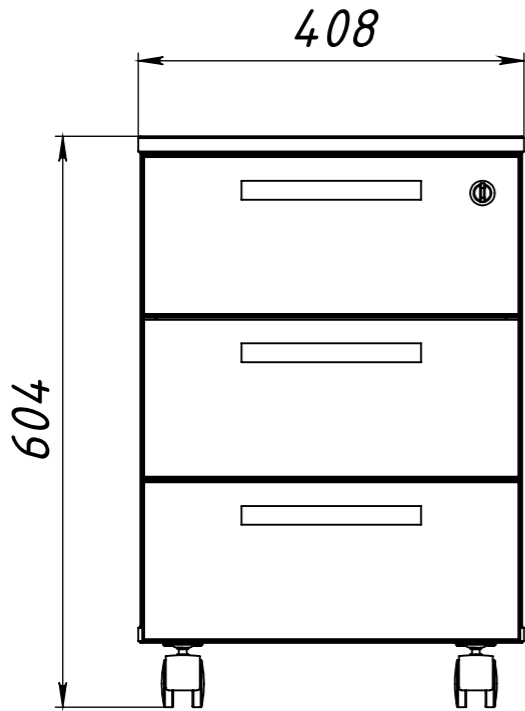
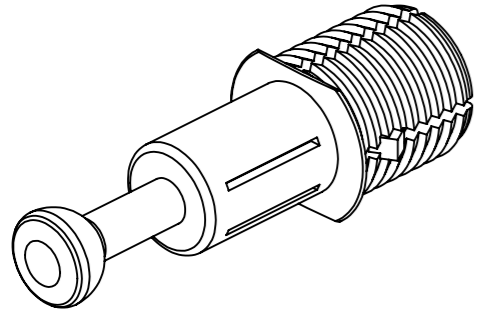


FMC-3D

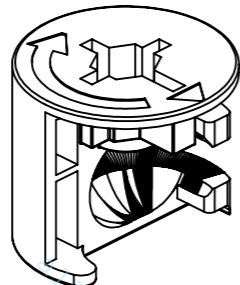


1



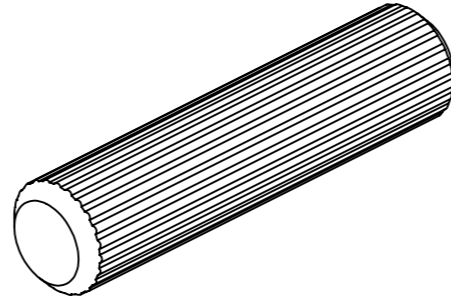
x8

2



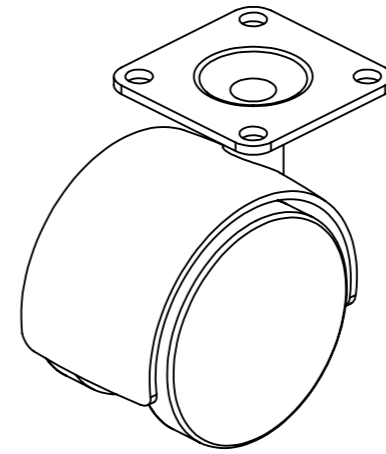
x8

3



x12

4

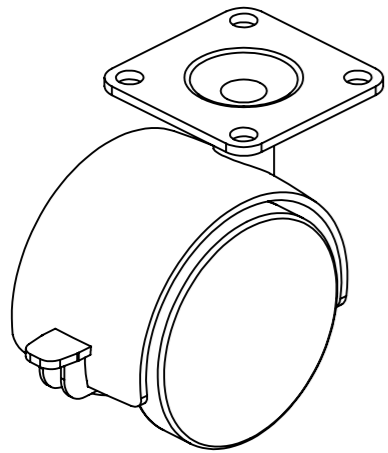


x2

F-02

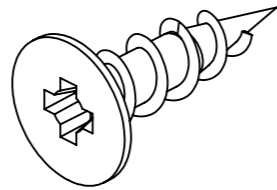
2/4

5



x2

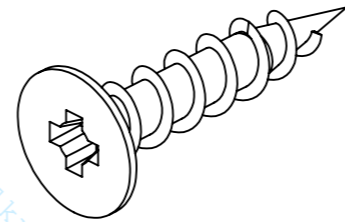
6



3,5x12

x30

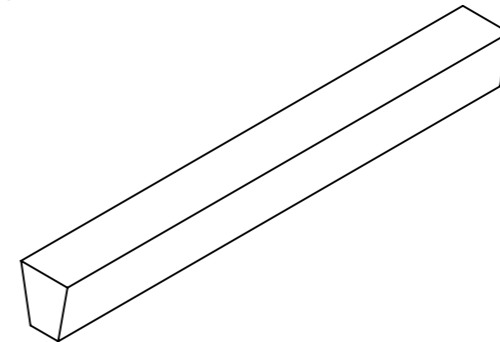
7



3,5x16

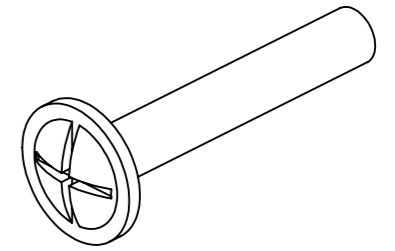
x52

8



x3

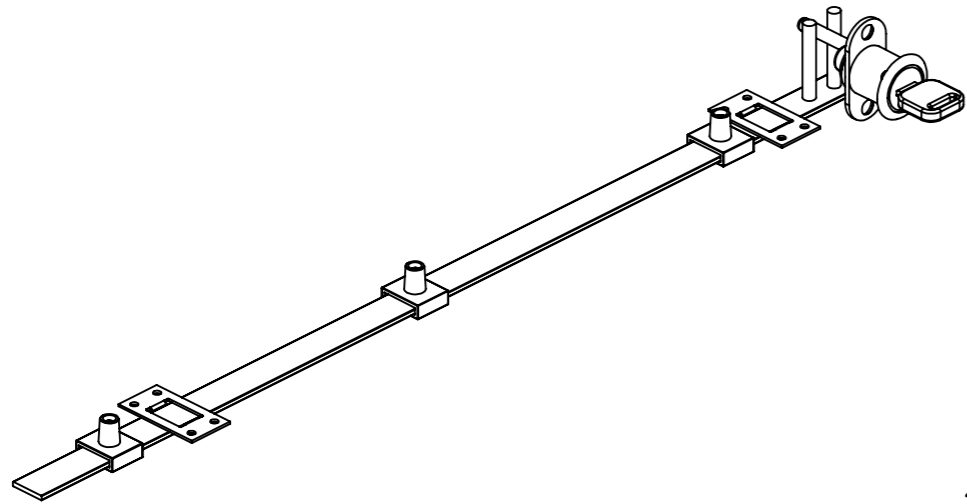
9



M4x25

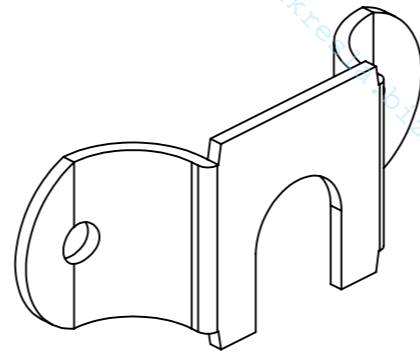
x6

10



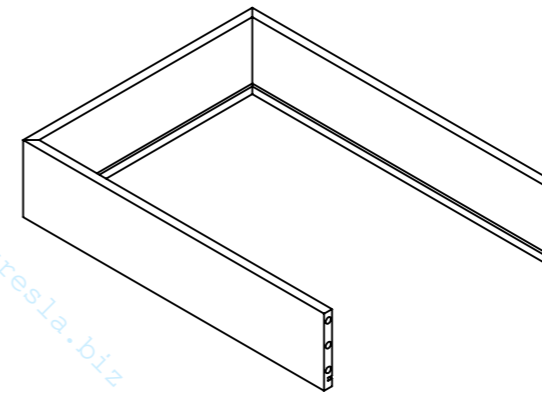
x1

11



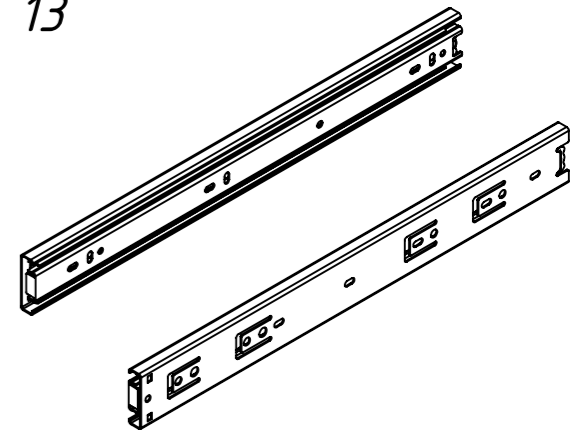
x3

12



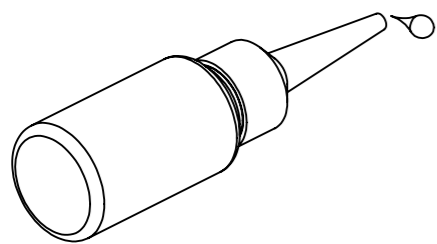
x3

13



x3

14



x1

