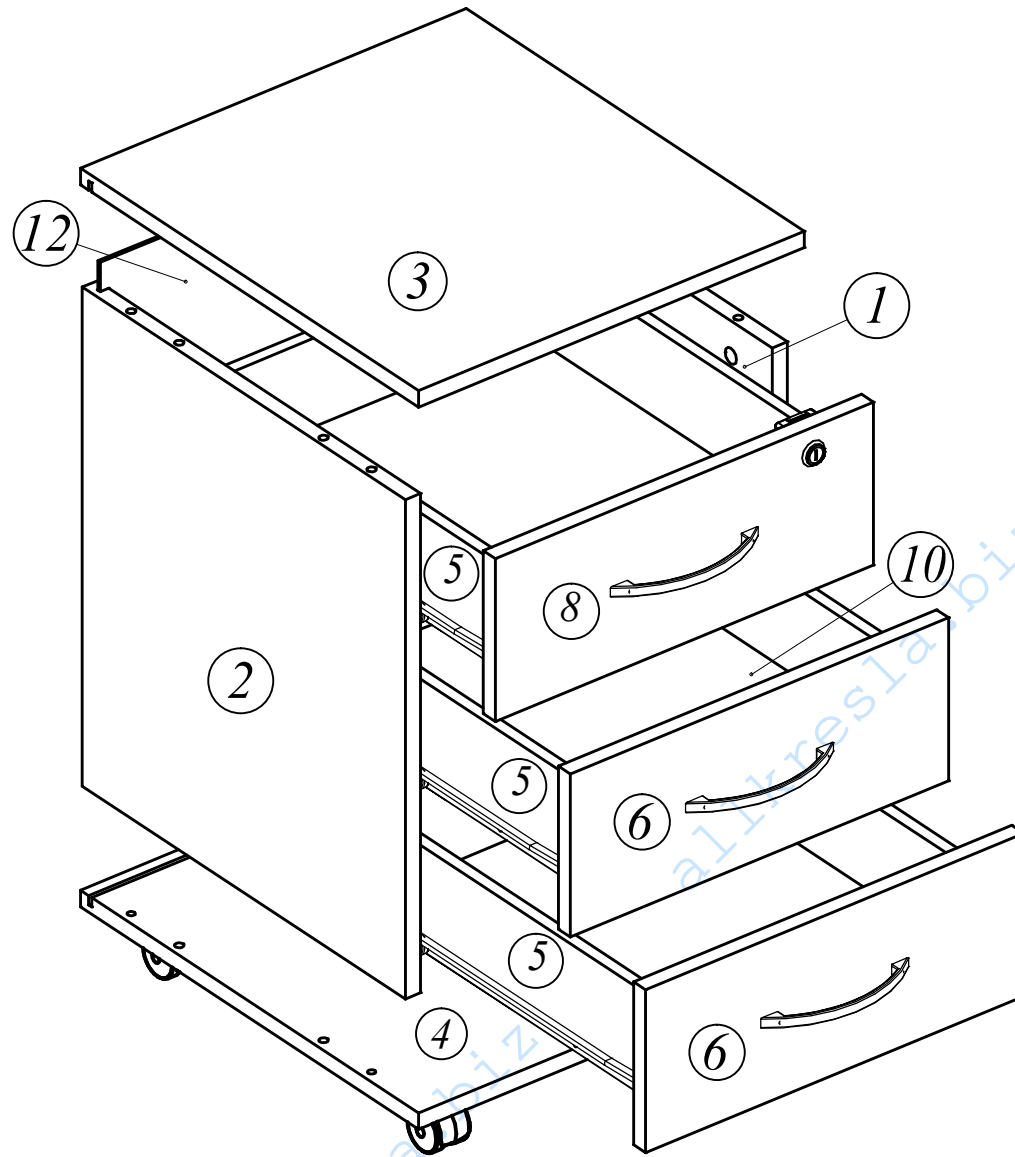
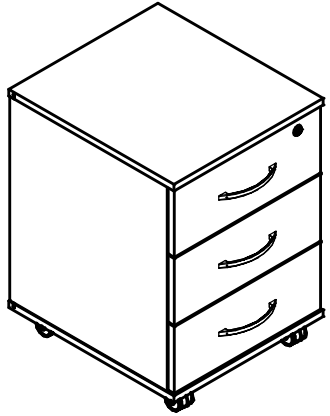
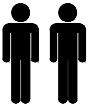
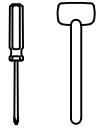


# TM-3 (TM-3)


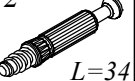

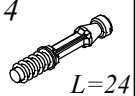

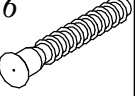

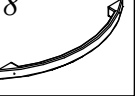
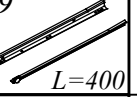
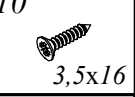

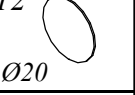
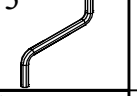
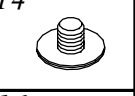
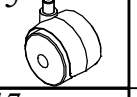
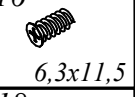
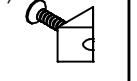

1



412x450x551

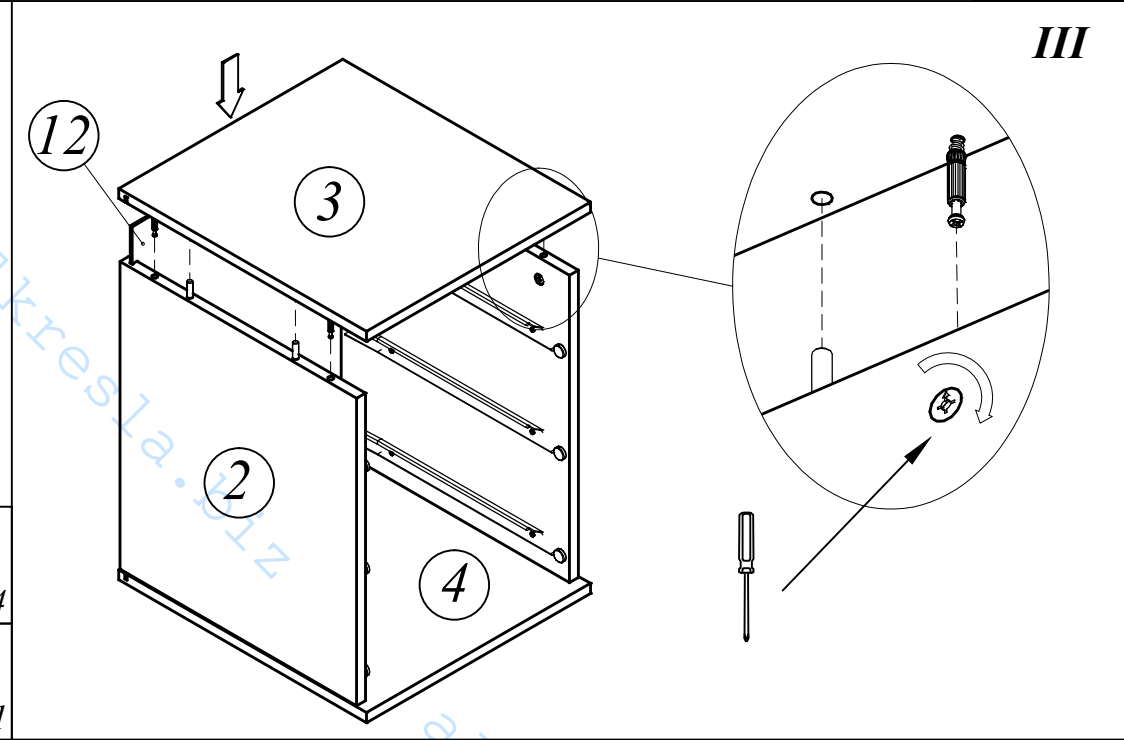
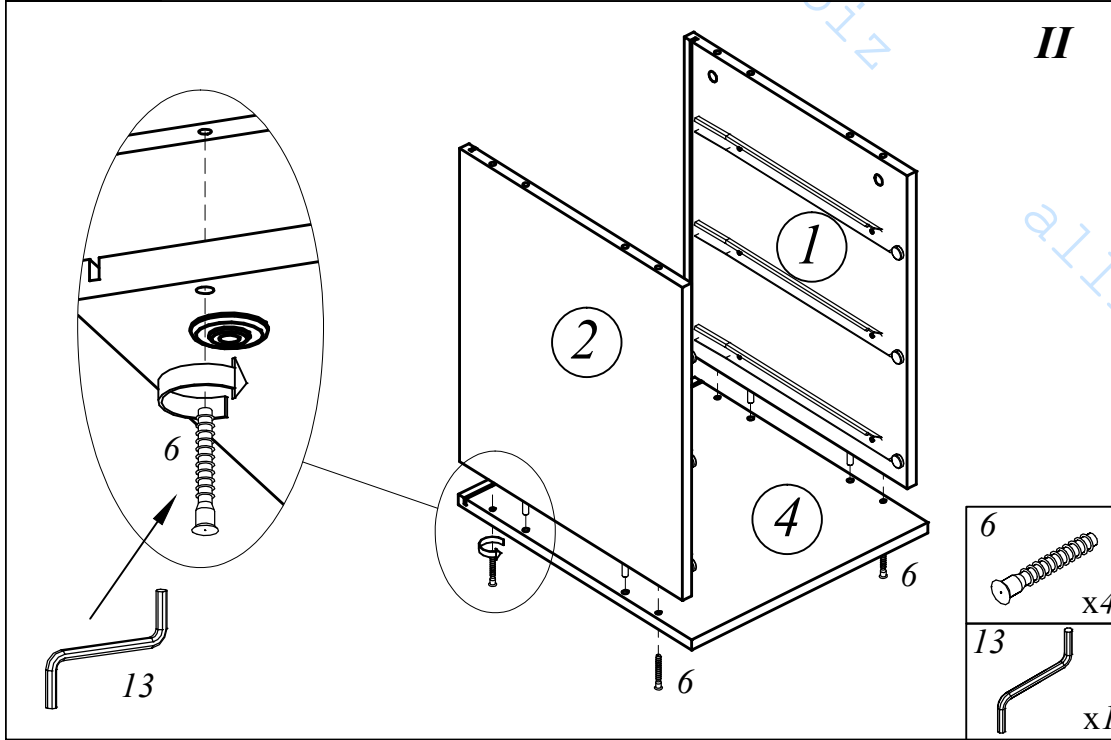
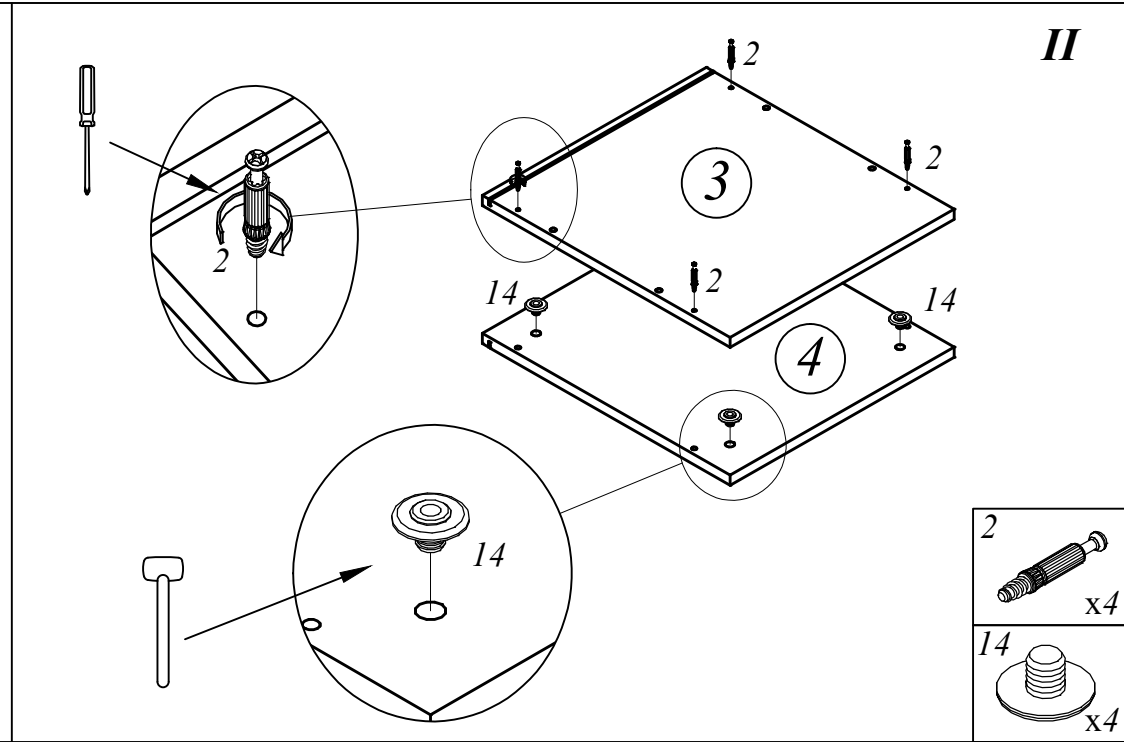
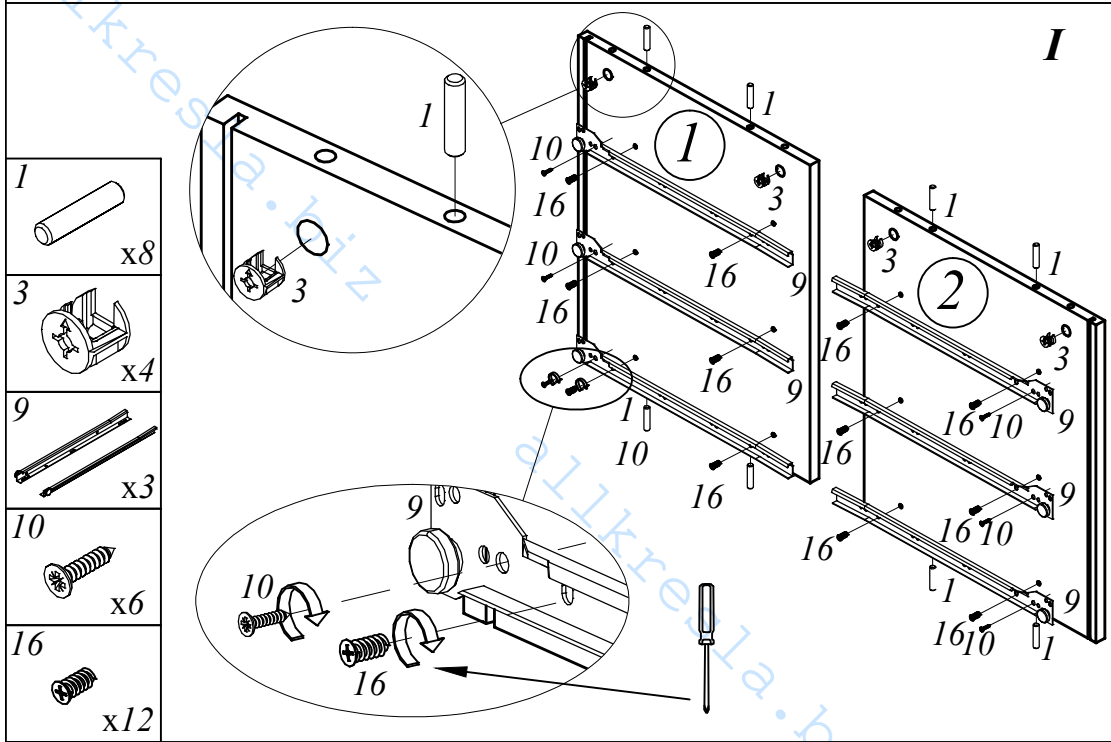


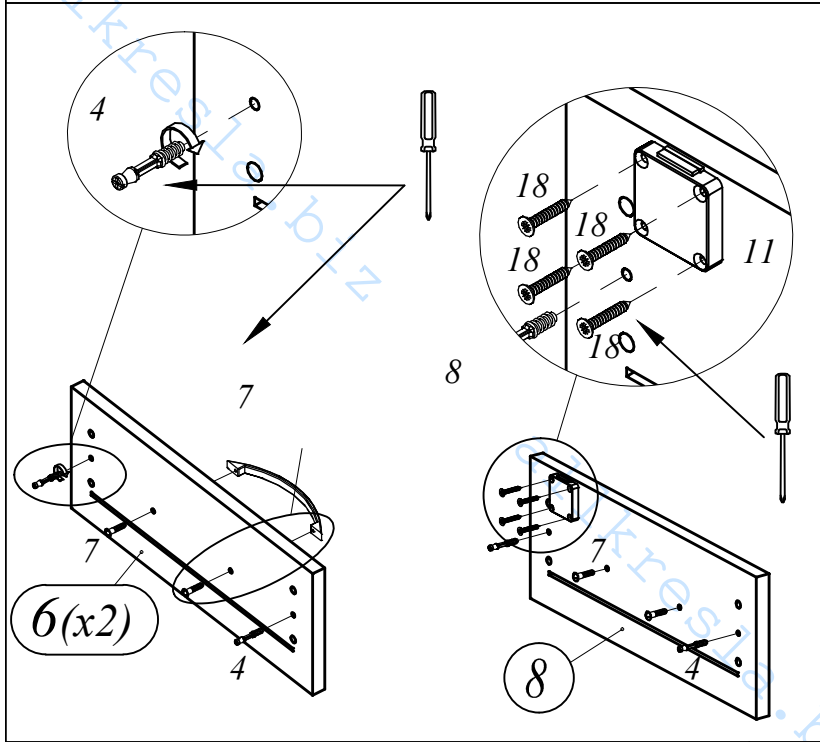
**ERC**

1		x8	2		x4
3		x4	4		x6
5		x6	6		x4
7		x6	8		x3
9		x3	10		x24
11		x1	12		x6
13		x1	14		x4
15		x4	16		x12
17		x4	18		x4

# TM-3 (TM-3)

2





- 4 (x6)
- 8 (x3)
- 7 (x6)
- 11 (x1)
- 18 (x4)

