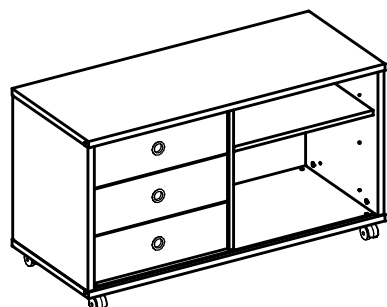


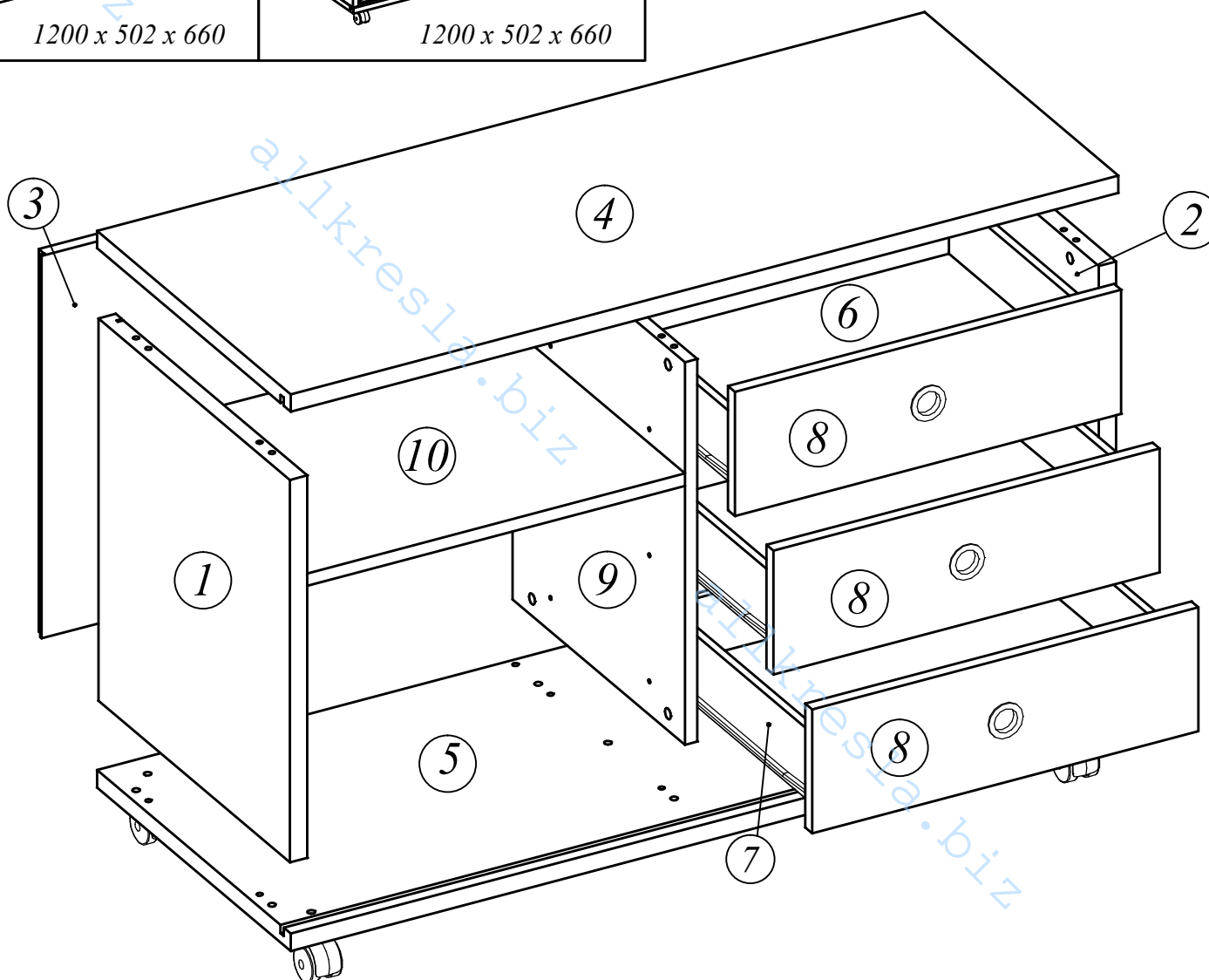
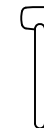
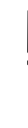
1200 x 502 x 660


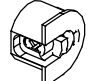
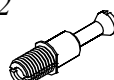












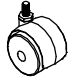


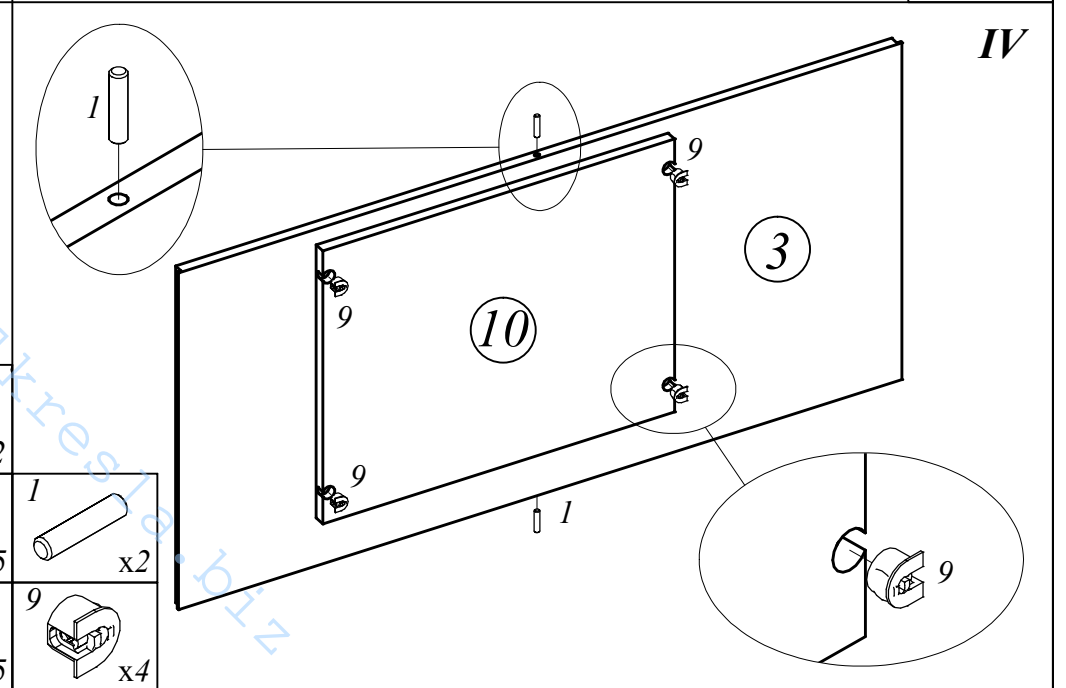
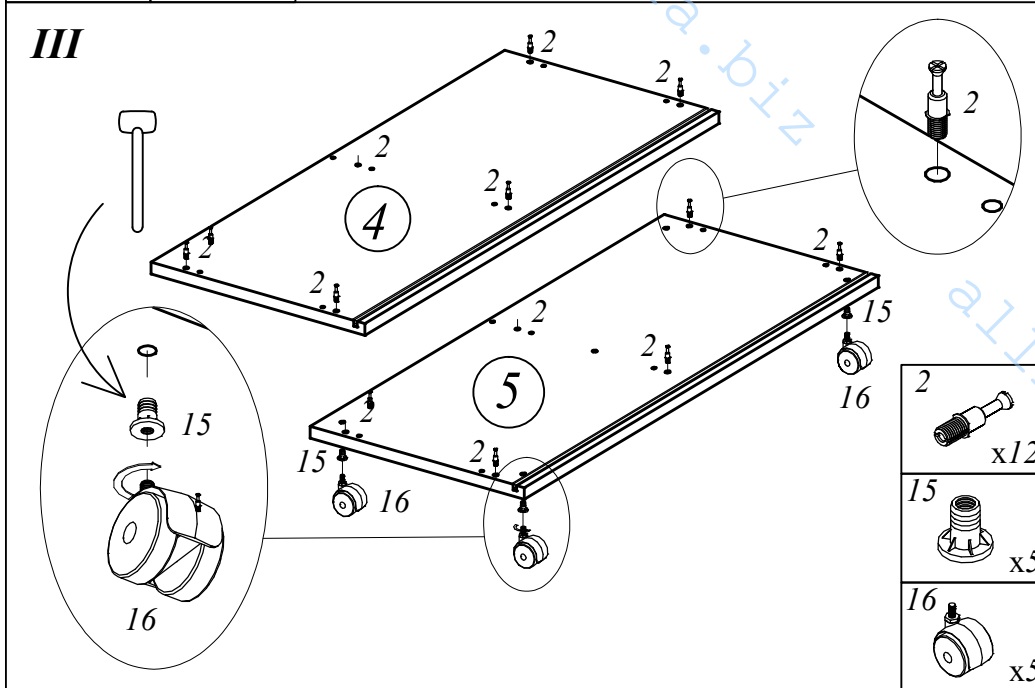
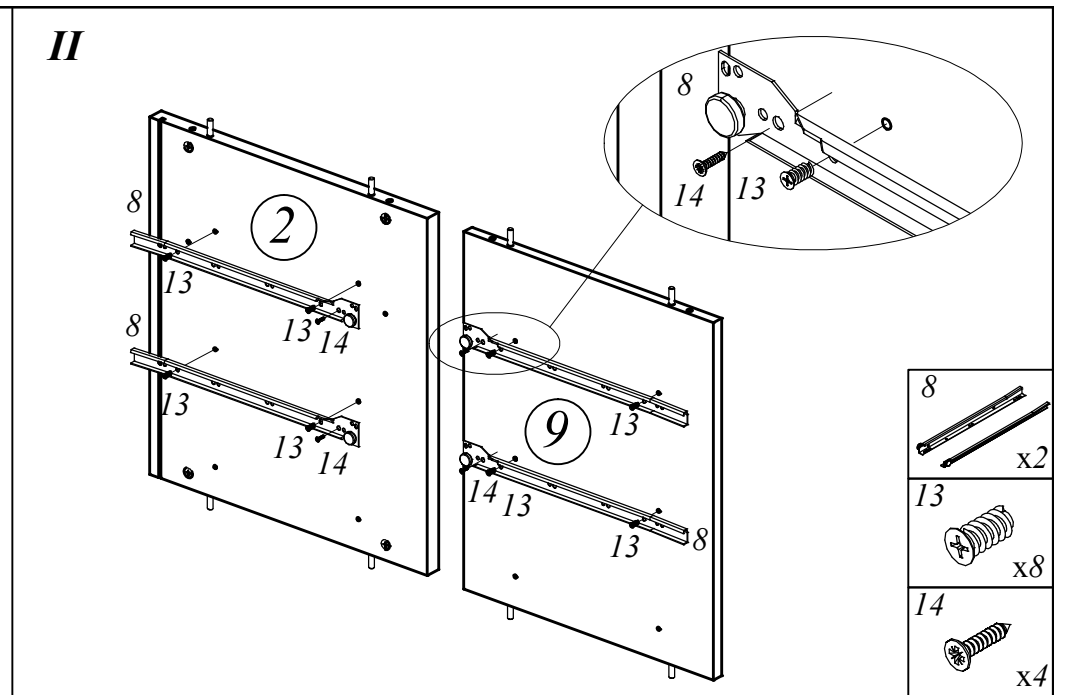
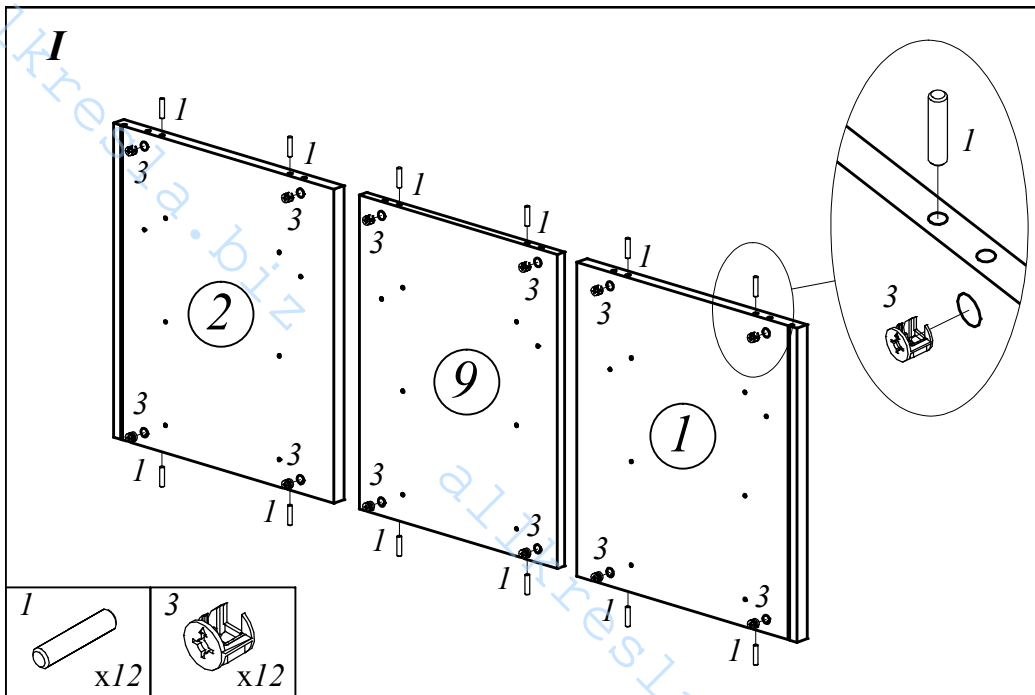
1200 x 502 x 660

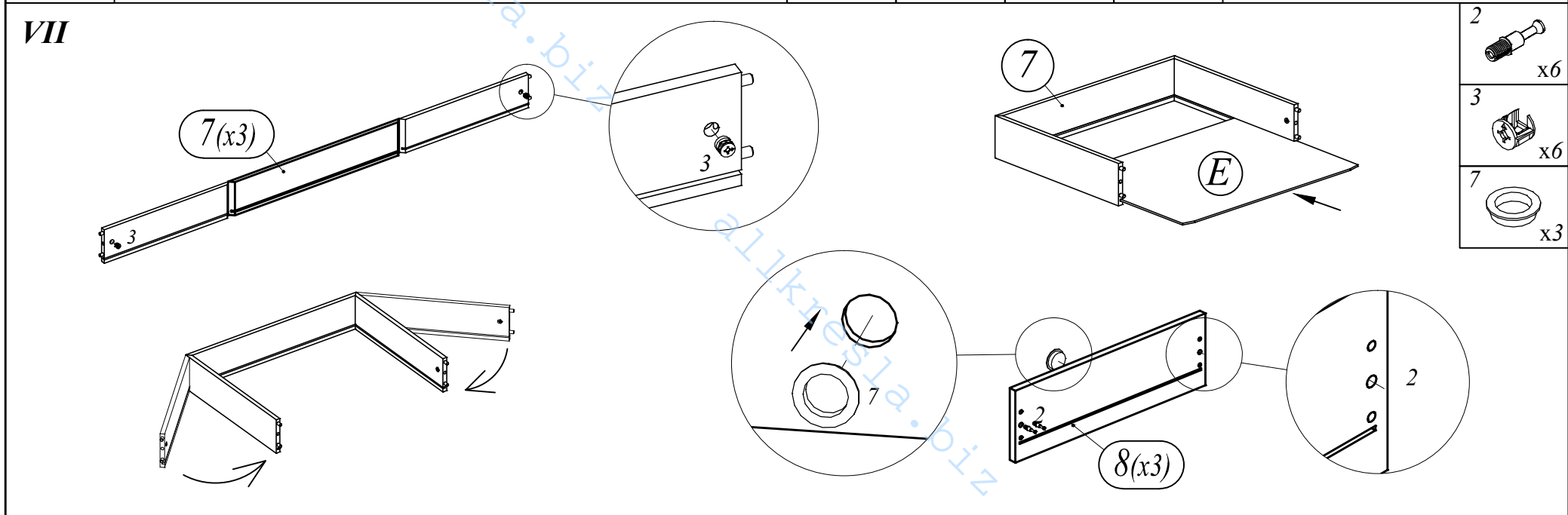
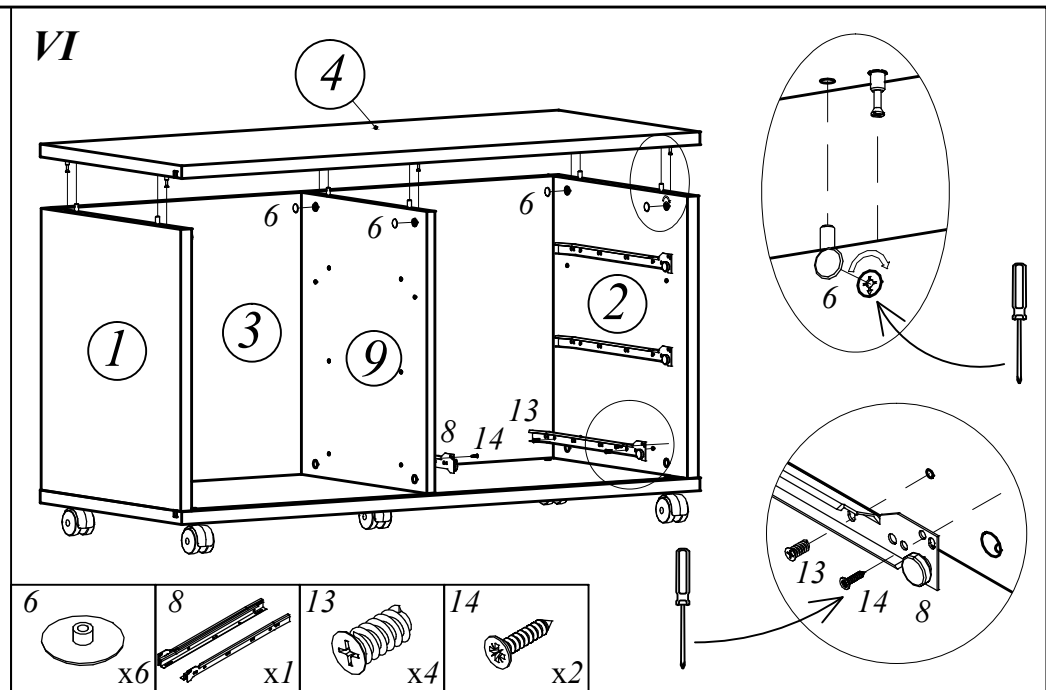
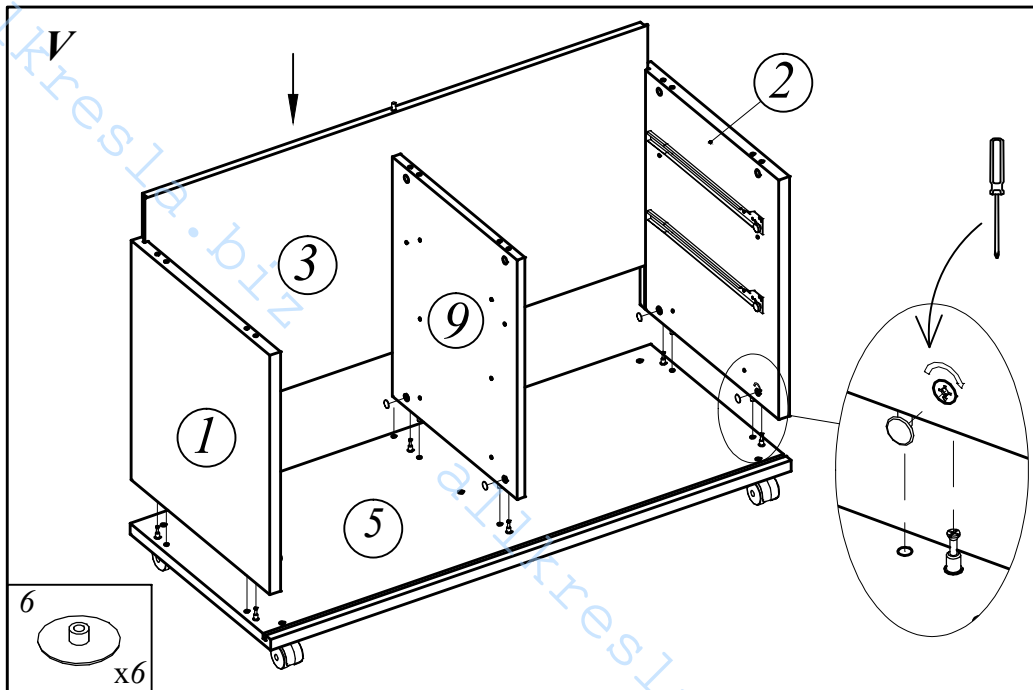
**B 202**

**EAC**

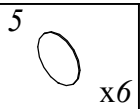
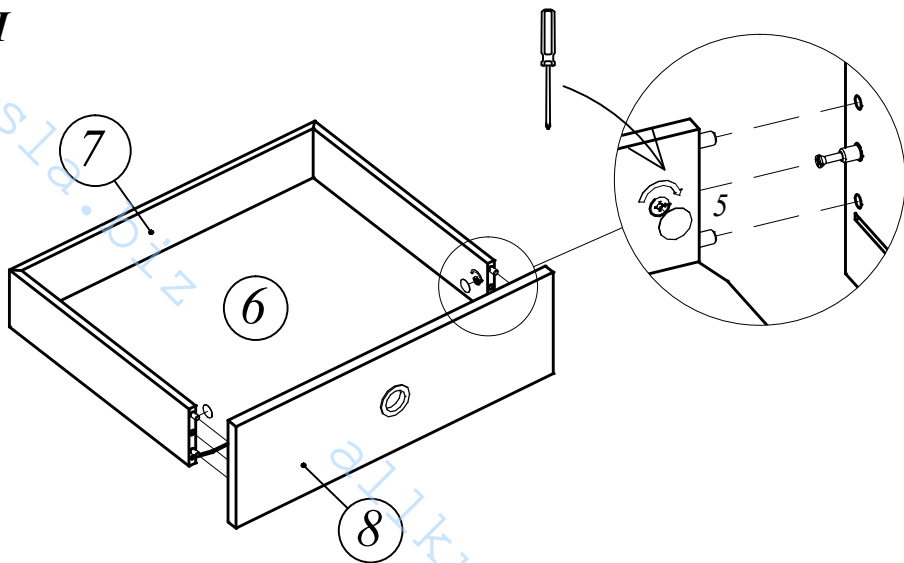


1		x14	9		x4
2		x18	10		x4
3		x12	11		x12
4		x6	12		x4
5		x6	13		x12
6		x12	14		x18
7		x3	15		x5
8		x3	16		x5
	L=400				

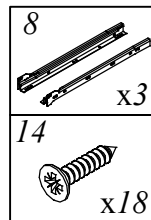
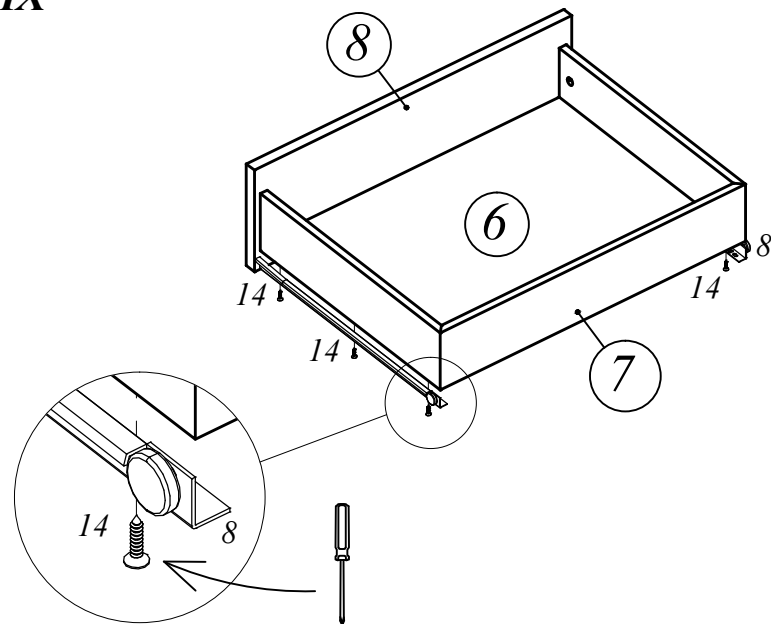




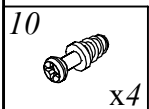
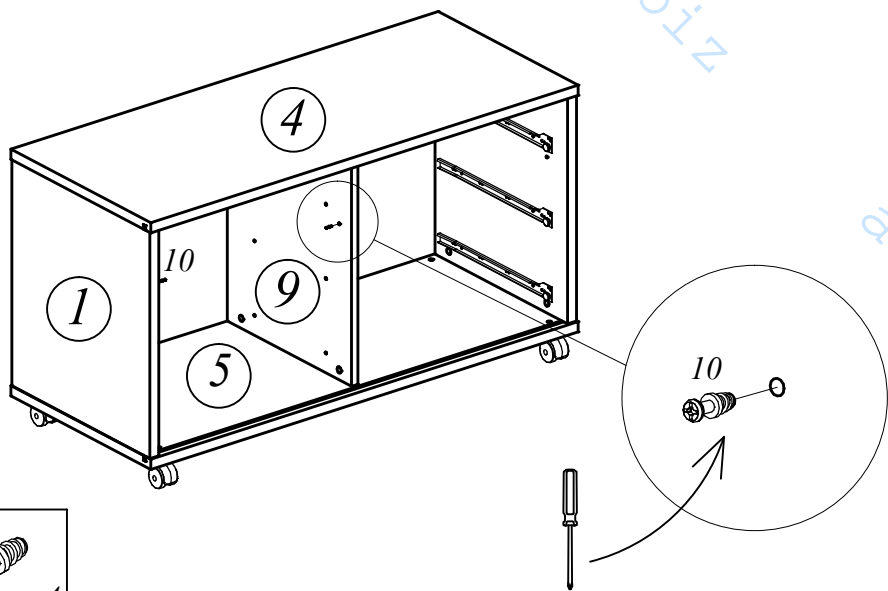
VIII



IX



X



XI

