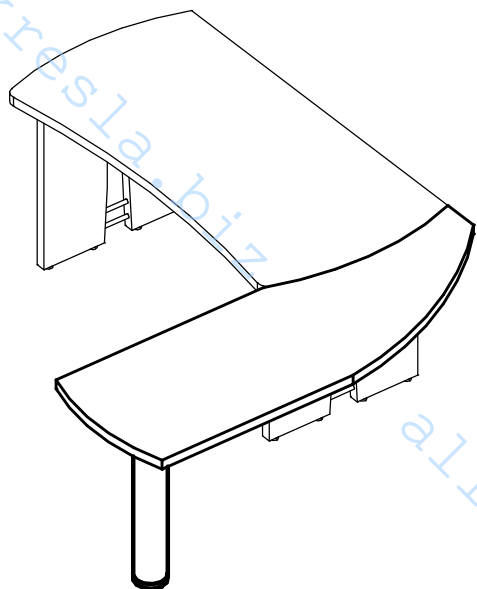
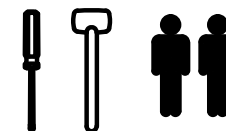
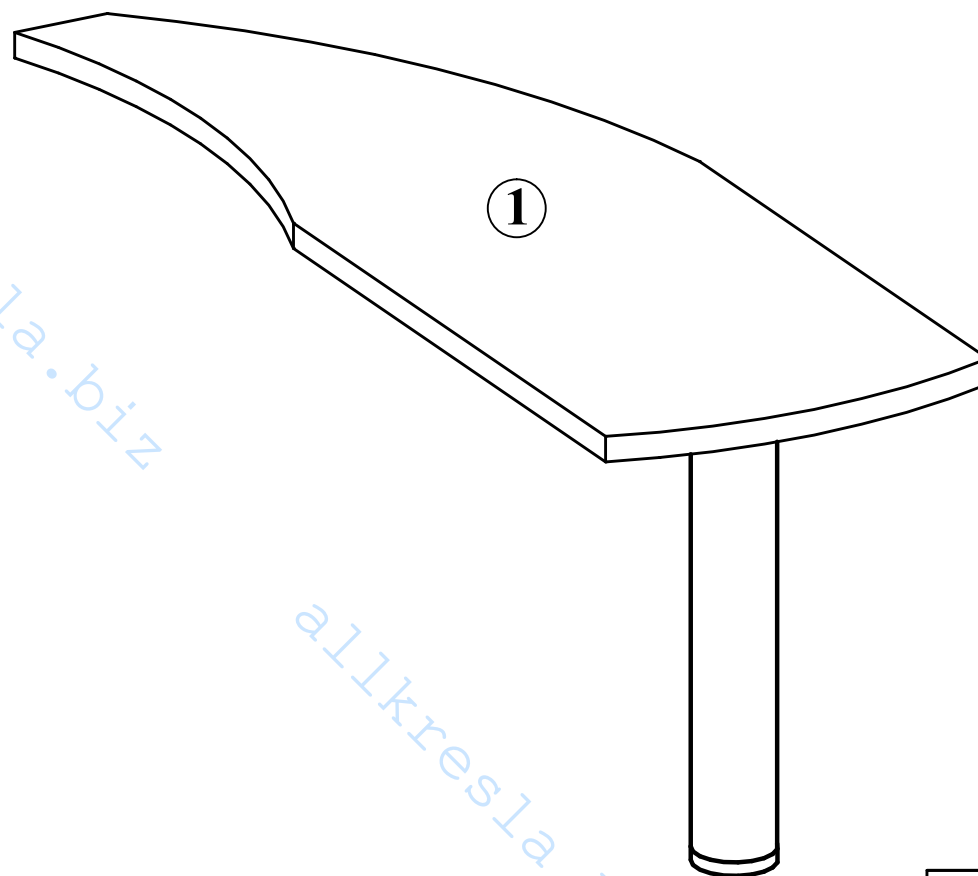


**B 300**

**EAC**



1750x600x38



1

1		x3	3		x1
2		x24			

