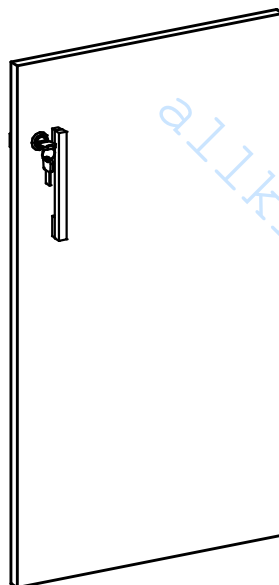
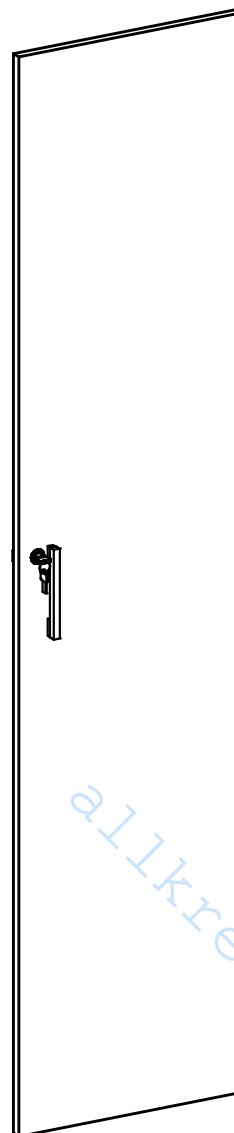


# B510R/Z; B530/Z

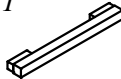
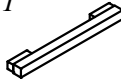


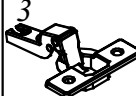
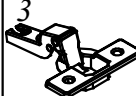








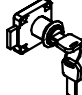
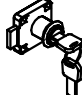










EAC

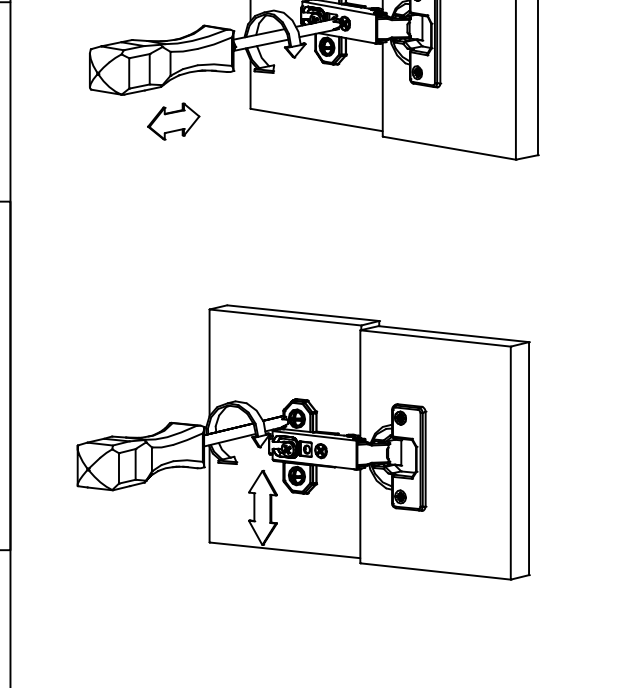
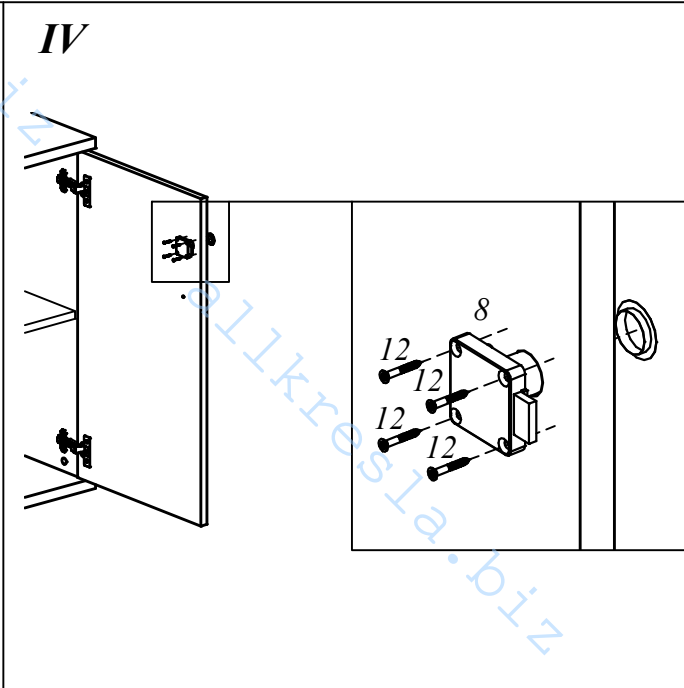
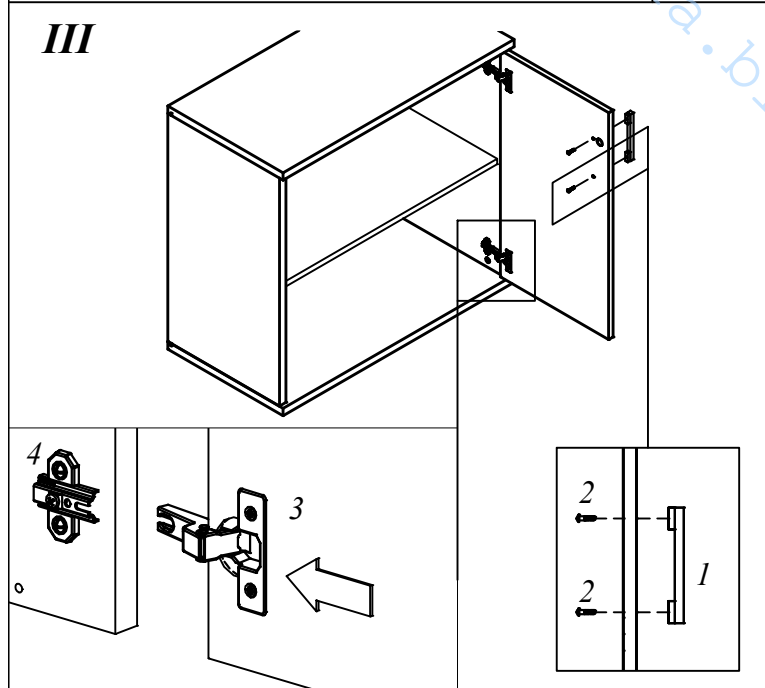
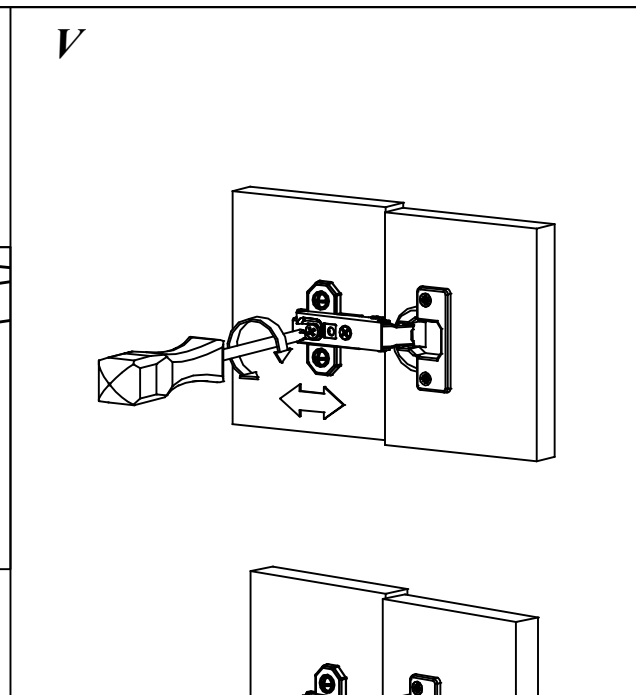
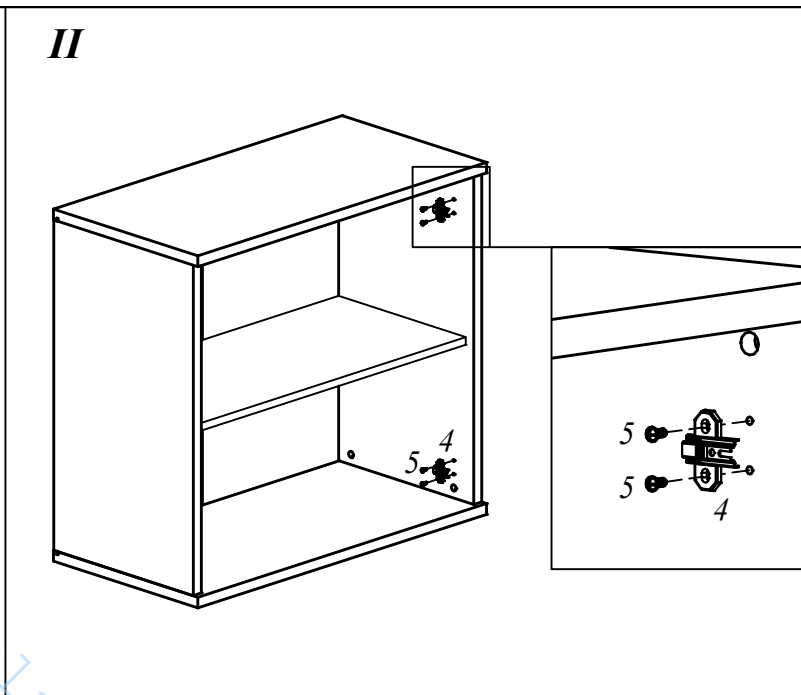
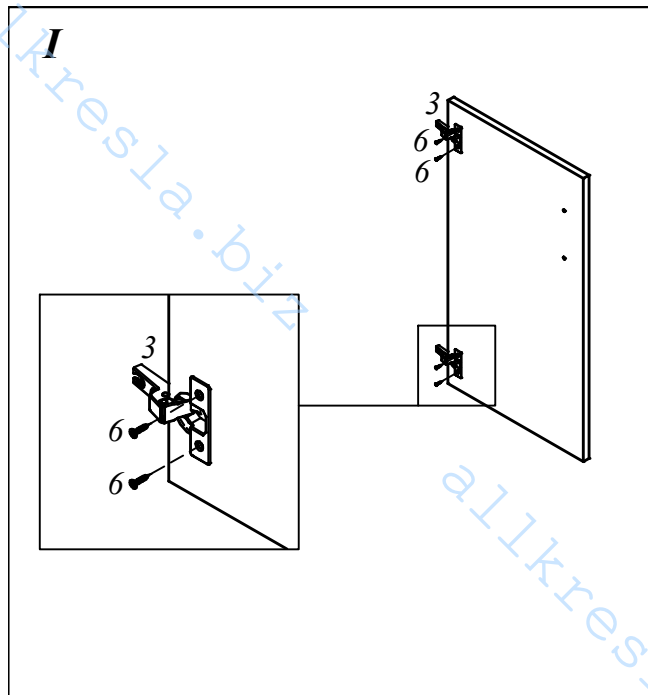


**B510R/Z**  
765x422x18

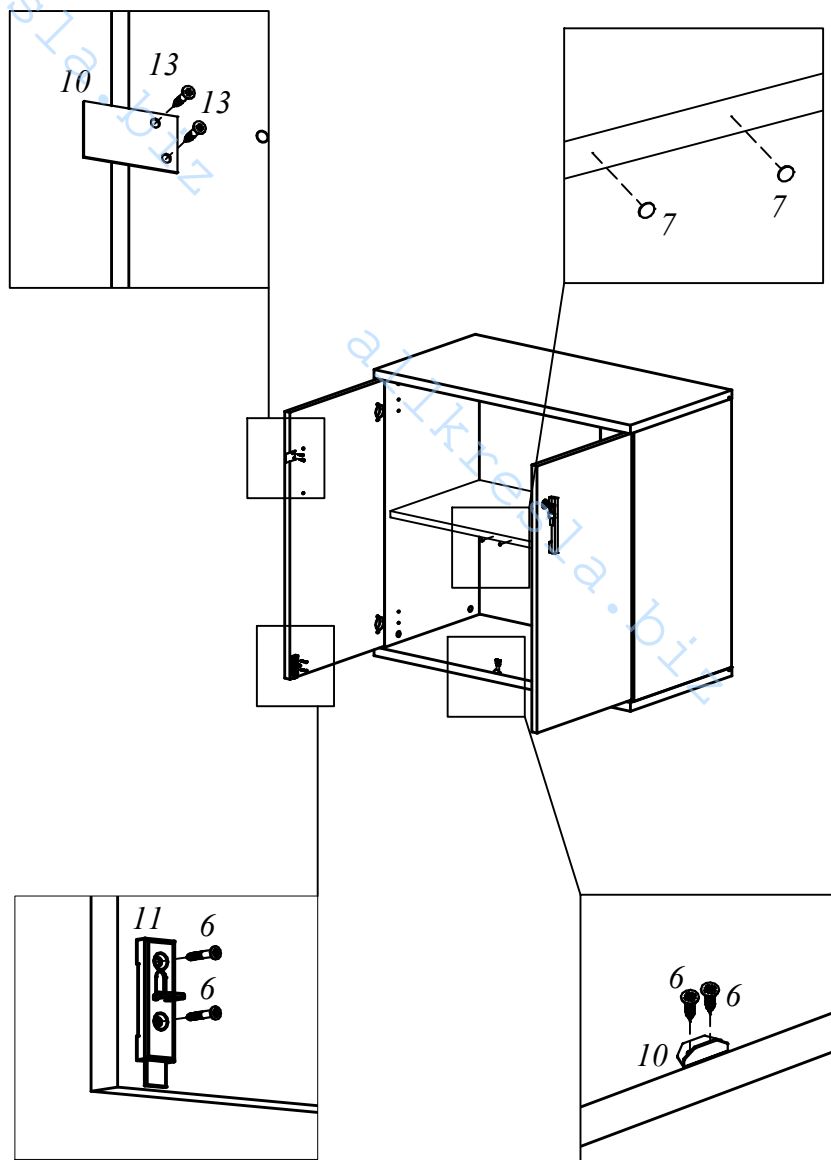


**B530/Z**  
1900x422x18

	B510R/Z	B530/Z
1	 x1	 x1
2	 M4x22 x2	 x2
3	 x2	 x4
4	 x2	 x4
5	 x4	 x8
6	 3,5x16 x10	 x18
7	 x1	 x1
8	 x1	 x1
9	 x2	 x3
10	 x1	 x1
11	 x1	 x2
12	 3x20 x4	 x4
13	 4x16 x2	 x2



**VI(I)**



**VI(II)**

